

ELLISSE 2011



BEZZERA

Dal 1901

COD. 9942052.03

REV.01

Table 1 (Up to 01.04.14)

POS	CODICE	DESCRIZIONE
1	5074502LW	CENTRAL CUPS-HEATER GRID 1GR
2	5343090VW	ASSEMBLY LEFT LATERAL SIDE PAINTED BLACK
2	5343090	ASSEMBLY LEFT LATERAL SIDE STAINLESS STEEL
3	5074505LW	CENTRAL CUPS-HEATER GRID 3GR
4	5018101LL	REAR BRACKET 1GR
4	5018103LL	REAR LEFT BRACKET 2-3GR
5	7816002	SCREW TCEI M4X12
6	5375112	LEFT CUPS-HEATER FRAME BLACK
6	5375116CM	LEFT CUPS-HEATER FRAME CHROMED
7	5074501LW	LATERAL CUPS-HEATER GRID 1-2-3GR
8	5074504LW	CENTRAL LEFT CUPS-HEATER GRID 2-3GR
9	5074503LW	CENTRAL RIGHT CUPS-HEATER GRID 2-3GR
10	5375111	RIGHT CUPS-HEATER FRAME BLACK
10	5375115CM	RIGHT CUPS-HEATER FRAME CHROMED
11	7817801	SCREW TPS M4X16
12	5343007.02	ASSEMBLY CUPS-HEATER 1GR
12	5343008.02	ASSEMBLY CUPS-HEATER 2GR
12	5343003.02	ASSEMBLY CUPS-HEATER 3GR
13	7809801	SCREW TC M3X10
14	5095101LW	REAR PANEL 1GR STAINLESS STEEL
14	5095102LW	REAR PANEL 2GR STAINLESS STEEL
14	5095103LW	REAR PANEL 3GR STAINLESS STEEL
15	5220802	BUSHING D10X4.2 BRASS
16	7816002	SCREW TCEI M4X12
17	5343089VW	ASSEMBLY RIGHT LATERAL SIDE PAINTED BLACK
17	5343089	ASSEMBLY RIGHT LATERAL SIDE STAINLESS STEEL
18	5375109	RIGHT SOCLE BLACK
18	5375113CM	RIGHT SOCLE CHROMED
19	5099001LW	CENTRAL SOCLE 1GR
19	5099002LW	CENTRAL SOCLE 2GR
19	5099003LW	CENTRAL SOCLE 3GR
20	5018102LL	REAR RIGHT BRACKET 2-3GR
21	7816014	SCREW M8X20 UNI5931 A2
22	5038428LL	MOTOR SUPPORT
23	5037805LW	SQUARE FOR RIGHT PANEL SUPPORT
24	5974609.01	ASSEMBLY CHASSIS 1GR PAINTED
24	5974610.01	ASSEMBLY CHASSIS 2GR PAINTED
24	5974611.01	ASSEMBLY CHASSIS 3GR. PAINTED
25	7474215	FEET
26	7305505	PLUG
27	5070602DL	DRIP TRAY 1GR. POLISHED
27	5070603DL	DRIP TRAY 2GR. POLISHED
27	5070604DL	DRIP TRAY 3GR. POLISHED
28	5094501LW	DRIP TRAY GRID 1GR
28	5094502LW	DRIP TRAY GRID 2GR
28	5094503LW	DRIP TRAY GRID 3GR

Table 1 (Up to 01.04.14)

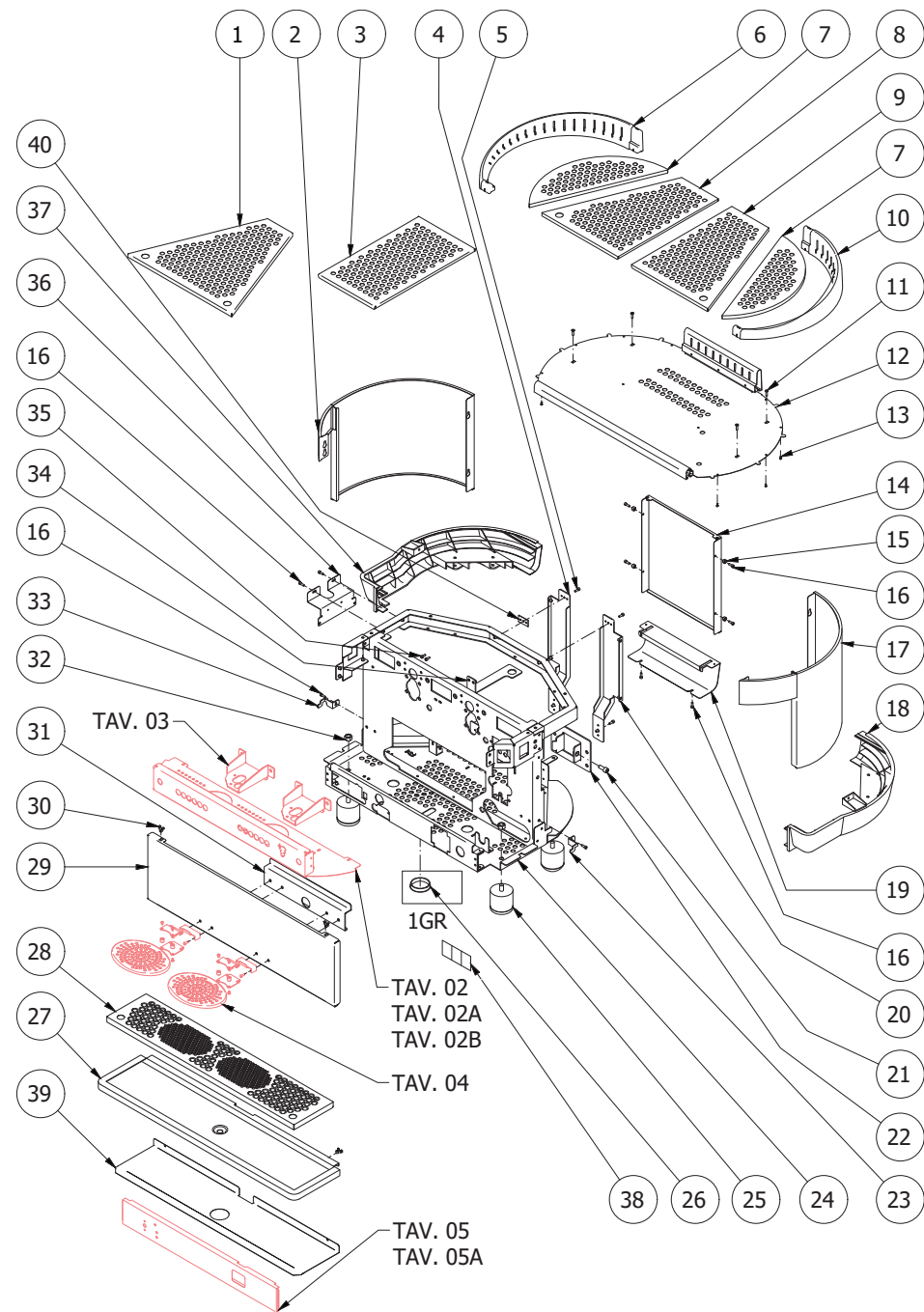


Table 1 (Up to 01.04.14)

POS	CODICE	DESCRIZIONE
29	5094820LW	FRONTAL GROUP 1GR
29	5094838LW	FRONTAL GROUP 1GR + GAS
29	5094823LW	FRONTAL GROUP 1GR + GAS + GLASS-LEVEL
29	5094821LW	FRONTAL GROUP 2GR
29	5094839LW	FRONTAL GROUP 2GR + GAS
29	5094824LW	FRONTAL GROUP 2GR + GAS + GLASS-LEVEL
29	5094822LW	FRONTAL GROUP 3GR
29	5094840LW	FRONTAL GROUP 3GR + GAS
29	5094825LW	FRONTAL GROUP 3GR + GAS + GLASS-LEVEL
30	5471533	SHAPED SPRING
31	5035719LL	CROSS 1GR
31	5035720LL	CROSS 2GR
31	5035721LL	CROSS 3GR
32	7821402	NUT M10 UNI 5587 BRASS
33	5037806LW	SQUARE FOR LEFT PANEL SUPPORT
34	5038433LL	BOILER SUPPORT 1GR
34	5038431LL	BOILER SUPPORT 2/3GR
35	7816009	SCREW TCEI M4X10
36	5038402LW	ELECTRONIC BOX SUPPORT (PM - DE version)
36	5038430LL	ELECTRONIC BOX SUPPORT (DE TOP version)
37	5375110	LEFT SOCLE BLACK
37	5375114CM	LEFT SOCLE CHROMED
38	5521524	ITALIAN FLAG LABEL
39	5053029LW	DRIP TRAY PROTECTION 1GR
39	5053030LW	DRIP TRAY GRID PROTECTION 2GR
39	5053031LW	DRIP TRAY GRID PROTECTION 3GR
40	5191512	SPACER (CHROMED version)

Table 1 (Up to 01.04.14)

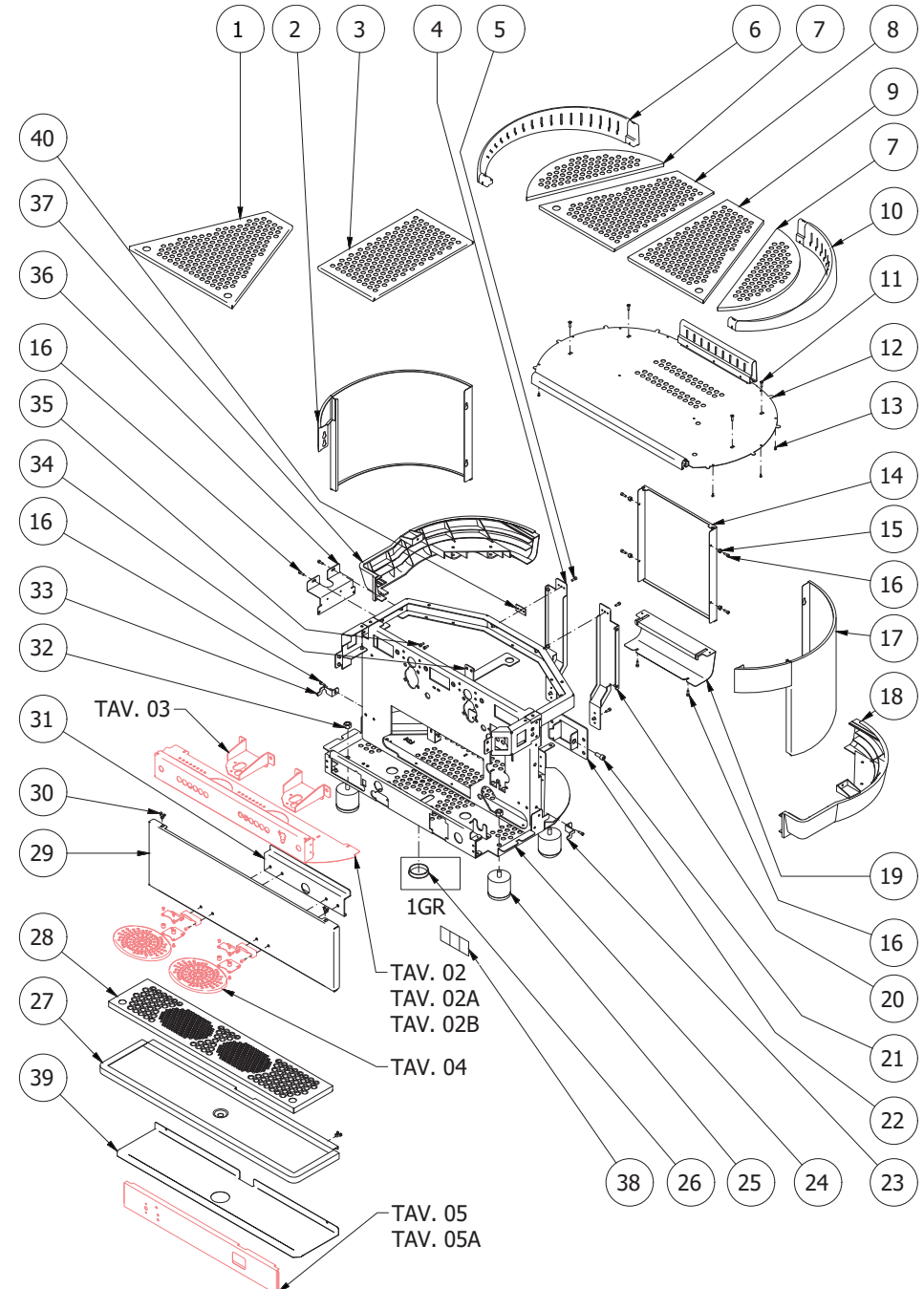


Table 1 (from 02.04.14)

POS	CODICE	DESCRIZIONE
1	5074502LW	CENTRAL CUPS-HEATER GRID 1GR
2	5343090VW	ASSEMBLY LEFT LATERAL SIDE PAINTED BLACK
2	5343090	ASSEMBLY LEFT LATERAL SIDE STAINLESS STEEL
3	5074505LW	CENTRAL CUPS-HEATER GRID 3GR
4	5018101LL	REAR BRACKET 1GR
4	5018103LL	REAR LEFT BRACKET 2-3GR
5	7816002	SCREW TCEI M4X12
6	5375112	LEFT CUPS-HEATER FRAME BLACK
6	5375116CM	LEFT CUPS-HEATER FRAME CHROMED
7	5074501LW	LATERAL CUPS-HEATER GRID 1-2-3GR
8	5074504LW	CENTRAL LEFT CUPS-HEATER GRID 2-3GR
9	5074503LW	CENTRAL RIGHT CUPS-HEATER GRID 2-3GR
10	5375111	RIGHT CUPS-HEATER FRAME BLACK
10	5375115CM	RIGHT CUPS-HEATER FRAME CHROMED
11	7817801	SCREW TPS M4X16
12	5343007.02	ASSEMBLY CUPS-HEATER 1GR
12	5343008.02	ASSEMBLY CUPS-HEATER 2GR
12	5343003.02	ASSEMBLY CUPS-HEATER 3GR
13	7809801	SCREW TC M3X10
14	5095101LW	REAR PANEL 1GR STAINLESS STEEL
14	5095102LW	REAR PANEL 2GR STAINLESS STEEL
14	5095103LW	REAR PANEL 3GR STAINLESS STEEL
15	5220802	BUSHING D10X4.2 BRASS
16	7816002	SCREW TCEI M4X12
17	5343089VW	ASSEMBLY RIGHT LATERAL SIDE PAINTED BLACK
17	5343089	ASSEMBLY RIGHT LATERAL SIDE STAINLESS STEEL
18	5375109	RIGHT SOCLE BLACK
18	5375113CM	RIGHT SOCLE CHROMED
19	5099001LW	CENTRAL SOCLE 1GR
19	5099002LW	CENTRAL SOCLE 2GR
19	5099003LW	CENTRAL SOCLE 3GR
20	5018102LL	REAR RIGHT BRACKET 2-3GR
21	7816014	SCREW M8X20 UNI5931 A2
22	5038428LL	MOTOR SUPPORT
23	5037805LW	SQUARE FOR RIGHT PANEL SUPPORT
24	5974609.01	ASSEMBLY CHASSIS 1GR PAINTED
24	5974610.01	ASSEMBLY CHASSIS 2GR PAINTED
24	5974611.01	ASSEMBLY CHASSIS 3GR. PAINTED
25	7474215	FEET
26	7305505	PLUG
27	5070602DL	DRIP TRAY 1GR. POLISHED
27	5070603DL	DRIP TRAY 2GR. POLISHED
27	5070604DL	DRIP TRAY 3GR. POLISHED
28	5094877.01LW	DRIP TRAY GRID 1GR
28	5094878.01LW	DRIP TRAY GRID 2GR
28	5094879.01LW	DRIP TRAY GRID 3GR

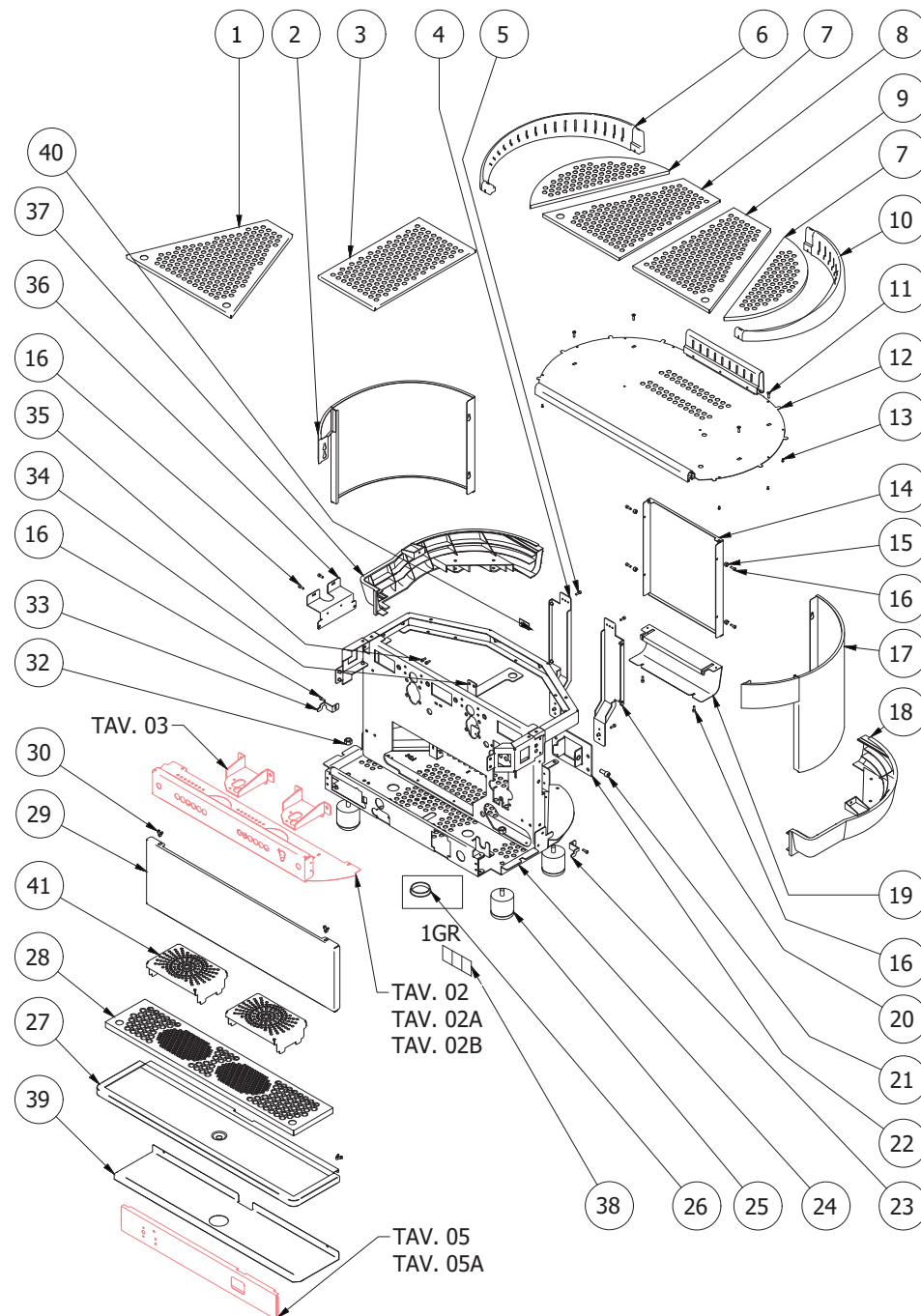
Table 1 (from 02.04.14)


Table 1 (from 02.04.14)

POS	CODICE	DESCRIZIONE
29	5094820.02LW	FRONTAL GROUP 1GR
29	5094838.03LW	FRONTAL GROUP 1GR + GAS
29	5094823.02LW	FRONTAL GROUP 1GR + GAS + GLASS-LEVEL
29	5094821.02LW	FRONTAL GROUP 2GR
29	5094839.02LW	FRONTAL GROUP 2GR + GAS
29	5094824.02LW	FRONTAL GROUP 2GR + GAS + GLASS-LEVEL
29	5094822.02LW	FRONTAL GROUP 3GR
29	5094840.02LW	FRONTAL GROUP 3GR + GAS
29	5094825.02LW	FRONTAL GROUP 3GR + GAS + GLASS-LEVEL
30	5471533	SHAPED SPRING
32	7821402	NUT M10 UNI 5587 BRASS
33	5037806LW	SQUARE FOR LEFT PANEL SUPPORT
34	5038433LL	BOILER SUPPORT 1GR
34	5038431LL	BOILER SUPPORT 2/3GR
35	7816009	SCREW TCEI M4X10
36	5038402LW	ELECTRONIC BOX SUPPORT (PM - DE version)
36	5038430LL	ELECTRONIC BOX SUPPORT (DE TOP version)
37	5375110	LEFT SOCLE BLACK
37	5375114CM	LEFT SOCLE CHROMED
38	5521524	ITALIAN FLAG LABEL
39	5053029LW	DRIP TRAY PROTECTION 1GR
39	5053030LW	DRIP TRAY GRID PROTECTION 2GR
39	5053031LW	DRIP TRAY GRID PROTECTION 3GR
40	5191512	SPACER (CHROMED version)
41	5074638.01LW	GRID

Table 1 (from 02.04.14)

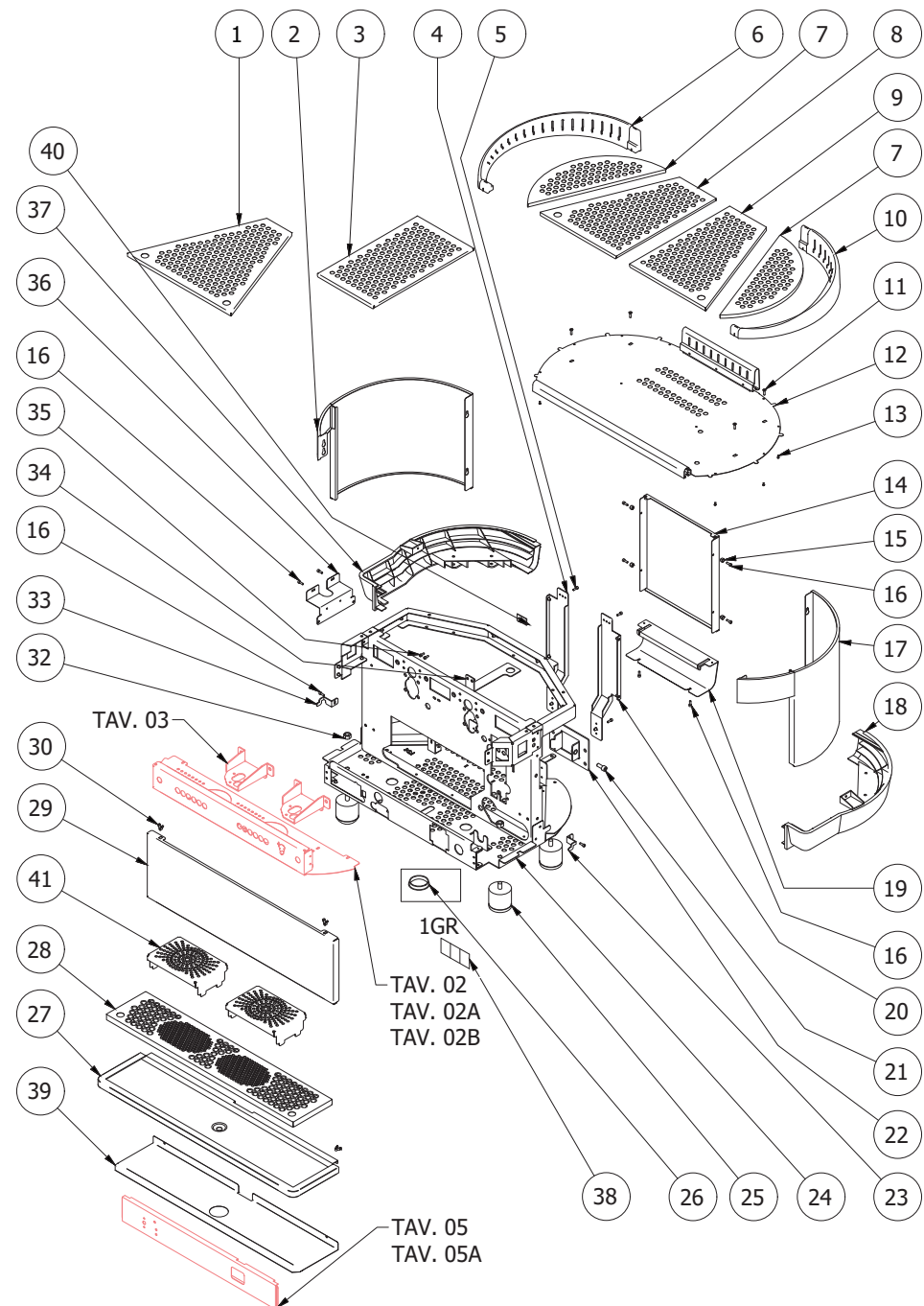


Table 2 (Up to 06/04/16) Mod. DE

POS	CODICE	DESCRIZIONE
1	7816002	SCREW TCEI M4X12
2	5220802	BUSHING D10X4.2 BRASS
3	5094835LL	WORKING FRONTAL PANEL DE 1GR
3	5094836LL	WORKING FRONTAL PANEL DE 2GR
3	5094837LL	WORKING FRONTAL PANEL DE 3GR
4	7374016	SCREW TC M2.5X6
5	7665011	PUSH BUTTON FOR WATER CUP
6	5191508	SPACER
7	5058446LL	PUSH BUTTON SUPPORT 1GR
7	5058444LL	PUSH BUTTON SUPPORT 2GR
7	5058445LL	PUSH BUTTON SUPPORT 3GR
8	7816009	SCREW TCEI M4X10
9	7663552	CONNECTING CABLE 8 POLES 1°/2° GR. 800MM
9	7663553	CONNECTING CABLE 8 POLES 3° GR. 1100MM
10	7665011	PUSH BUTTON FOR WATER CUP
11	5038429LL	EV SUPPORT
12	7814001	WASHER
13	5244008NC	STUD M4X22.6 AVP NICHEL-PLATED
14	7665014	MEMBRANE WATER PUSH BUTTON
15	7665015	MEMBRANE STEAM PUSH BUTTON

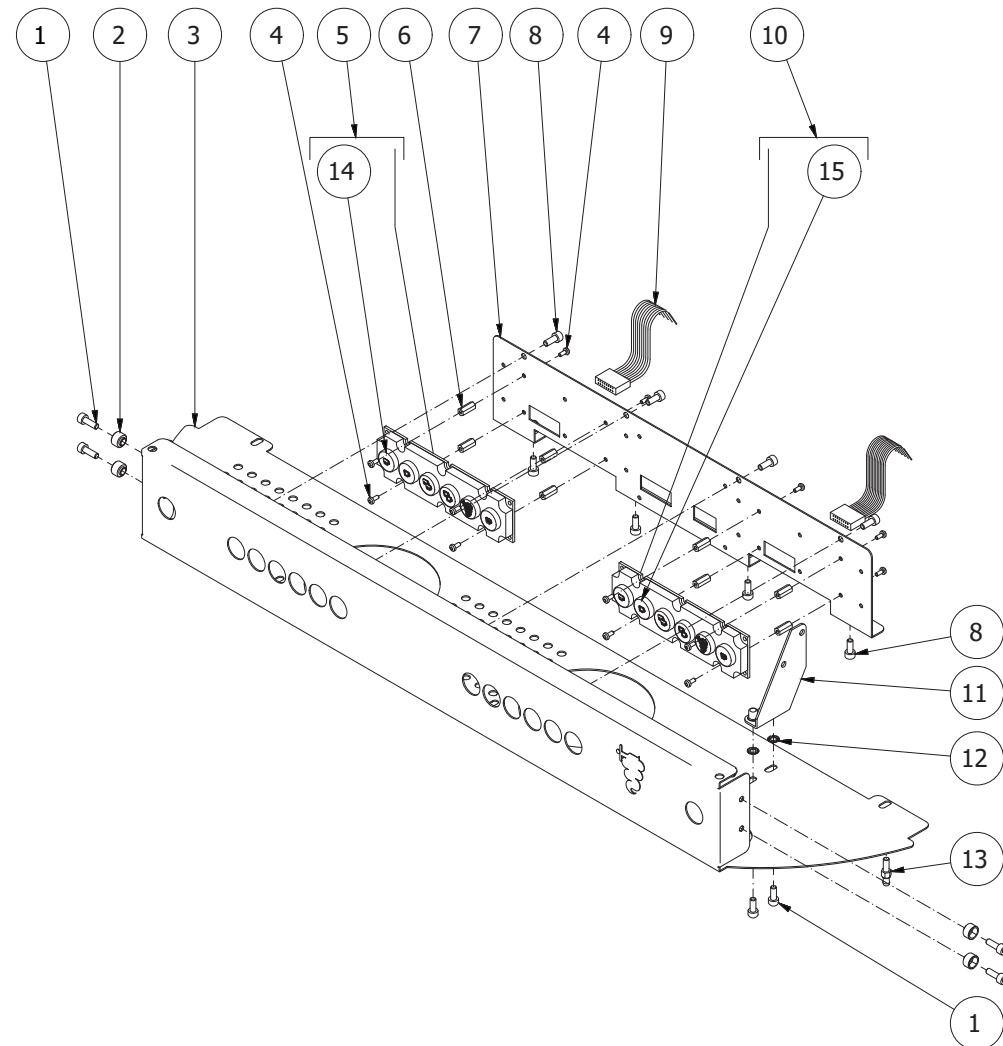
Table 2 (Up to 06/04/16)
Mod. DE

Table 2 (from 07/04/16) Mod. DE	POS	CODICE	DESCRIZIONE
	1	7816002	SCREW TCEI M4X12
	2	5220802	BUSHING D10X4.2 BRASS
	3	5094835.01LL	WORKING FRONTAL PANEL DE 1GR
	3	5094836.01LL	WORKING FRONTAL PANEL DE 2GR
	3	5094837.01LL	WORKING FRONTAL PANEL DE 3GR
	4	7663623	LED
	5	7663552	CONNECTING CABLE 8 POLES 1°/2° GR. 800MM
	5	7663553	CONNECTING CABLE 8 POLES 3° GR. 1100MM
	6	5661501	6 WATER PUSH BUTTON SERIES
	7	7665524.01PR	6 PUSH BUTTON WITH LED
	8	5058446.01LL	PUSH BUTTON SUPPORT 1GR
	8	5058444.01LL	PUSH BUTTON SUPPORT 2GR
	8	5058445.01LL	PUSH BUTTON SUPPORT 3GR
	9	7819908	SCREW TTEI M4X8
	10	5191506	SPACER
	11	5191511	SPACER
12	7809811	SCREW TCI M3X16 PLASTIC	
13	5038429LL	EV SUPPORT	
14	7814001	WASHER	
15	5244008NC	STUD M4X22.6 AVP NICHEL-PLATED	
16	5195003	NUT M3 PLASTIC	

**Table 2 (from 07/04/16)
Mod. DE**

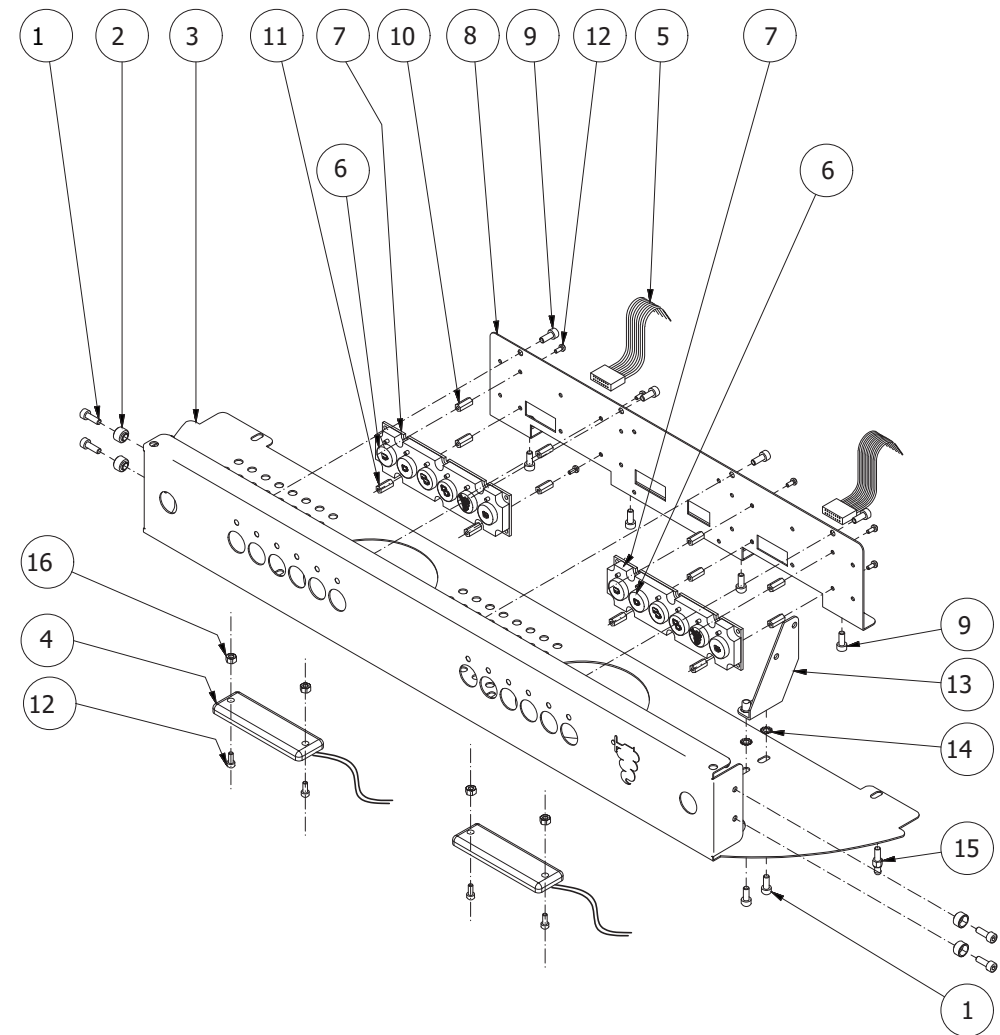


Table 2A (Up to 06/04/16) Mod. DE TOP

POS	CODICE	DESCRIZIONE
1	7816002	SCREW TCEI M4X12
2	5220802	BUSHING D10X4.2 BRASS
3	5094826LL	WORKING FRONTAL PANEL DETOP 1GR
3	5094827LL	WORKING FRONTAL PANEL DETOP 2GR
3	5094828LL	WORKING FRONTAL PANEL DETOP 3GR
3	5094842LL	WORKING FRONTAL PANEL DETOP 1GR WITHOUT AUTO-STEAM
3	5094841LL	WORKING FRONTAL PANEL DETOP 2GR WITHOUT AUTO-STEAM
3	5094843LL	WORKING FRONTAL PANEL DETOP 3GR WITHOUT AUTO-STEAM
4	7374016	SCREW TC M2.5X6
5	7665011	PUSH BUTTON FOR WATER CUP
6	5191508	SPACER
7	5058443LL	PUSH BUTTON SUPPORT 1GR
7	5058444LL	PUSH BUTTON SUPPORT 2GR
7	5058445LL	PUSH BUTTON SUPPORT 3GR
8	7816009	SCREW TCEI M4X10
9	7663552	CONNECTING CABLE 8 POLES 1°GR. - DISPLAY 800MM
9	7663553	CONNECTING CABLE 8 POLES 2°/3°GR. 1100MM
10	7665528	DISPLAY
11	7663576	CONNECTING CABLE DISPLAY
12	7665012	PUSH BUTTON WITH CUP STEAM
13	5038429LL	EV SUPPORT
14	7814001	WASHER
15	5244008NC	STUD M4X22.6 AVP NICHEL-PLATED
16	5370007	SCREEN DISPLAY
17	5522075	PID LABEL "BEZZERA"
18	7665014	MEMBRANE WATER PUSH BUTTON
19	7665015	MEMBRANE STEAM PUSH BUTTON

Table 2A (Up to 06/04/16)
Mod. DE TOP

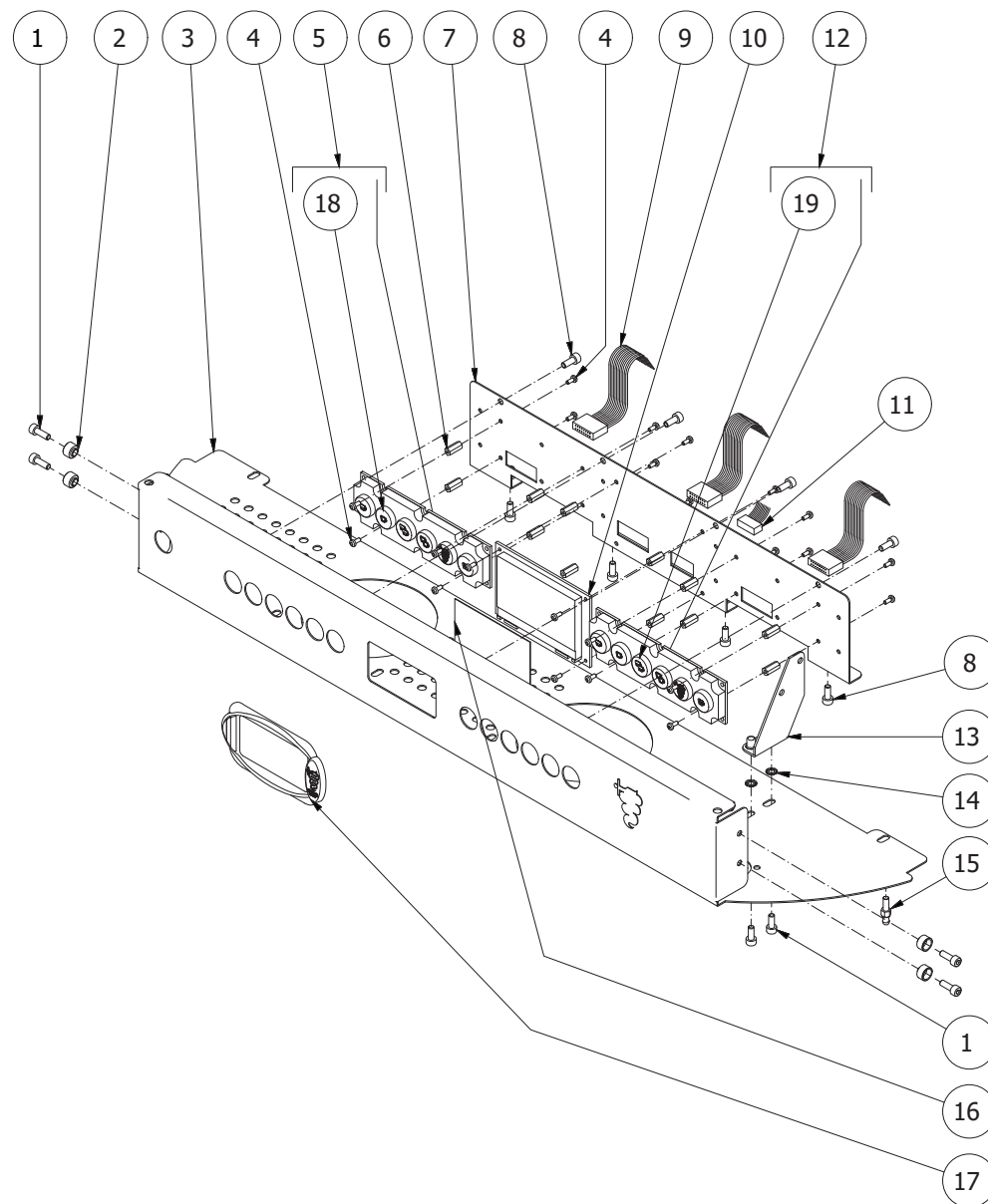


Table 2A (from 07/04/16) Mod. DE TOP

POS	CODICE	DESCRIZIONE
1	7816002	SCREW TCEI M4X12
2	5220802	BUSHING D10X4.2 BRASS
3	5094826.01LL	WORKING FRONTAL PANEL DETOP 1GR
3	5094827.01LL	WORKING FRONTAL PANEL DETOP 2GR
3	5094828.01LL	WORKING FRONTAL PANEL DETOP 3GR
3	5094842.01LL	WORKING FRONTAL PANEL DETOP 1GR WITHOUT AUTO-STEAM
3	5094841.01LL	WORKING FRONTAL PANEL DETOP 2GR WITHOUT AUTO-STEAM
3	5094843.01LL	WORKING FRONTAL PANEL DETOP 3GR WITHOUT AUTO-STEAM
4	7663623	LED
5	7663552	CONNECTING CABLE 8 POLES 1°/2° GR. 800MM
5	7663553	CONNECTING CABLE 8 POLES 3GR. 1100MM
6	5661501	6 WATER PUSH BUTTON SERIES
7	7665524.01PR	6 PUSH BUTTON WITH LED
8	5058443.01LL	PUSH BUTTON SUPPORT 1GR
8	5058444.01LL	PUSH BUTTON SUPPORT 2GR
8	5058445.01LL	PUSH BUTTON SUPPORT 3GR
9	7819908	SCREW TTEI M4X8
10	5191506	SPACER
11	5191511	SPACER
12	7809811	SCREW TCI M3X16 PLASTIC
13	5038429LL	EV SUPPORT
14	7374016	SCREW TC M2.5X6
15	7665528	DISPLAY
16	5191508	SPACER
17	5661502	6 STEAM PUSH BUTTON SERIES
18	7663576	CONNECTING CABLE DISPLAY
19	5244008NC	STUD M4X22.6 AVP NICHEL-PLATED
20	5370007	SCREEN DISPLAY
21	5522075	PID LABEL "BEZZERA"
22	5195003	NUT M3 PLASTIC
23	7814001	WASHER

**Table 2A (from 07/04/16)
Mod. DE TOP**

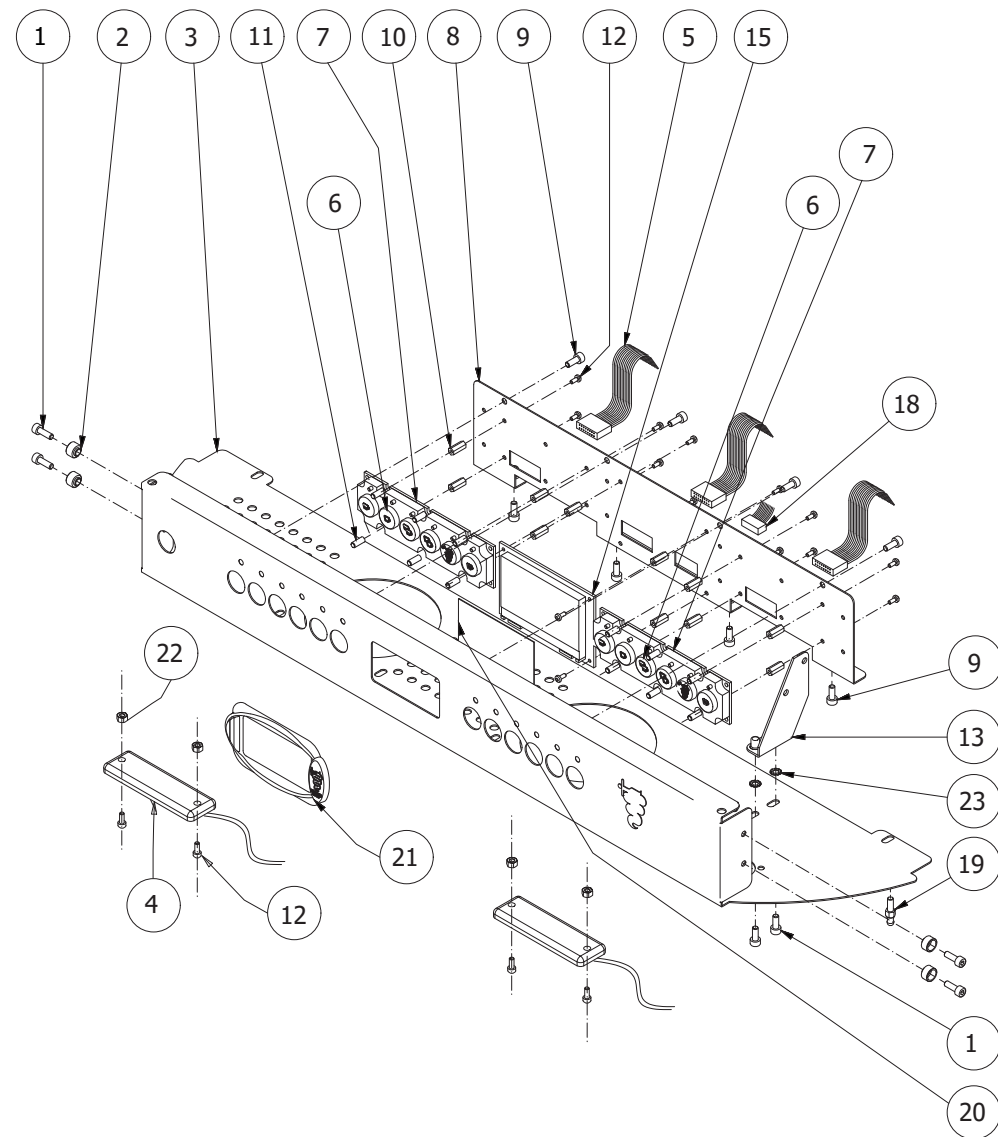


Table 3 (Up to 30.01.13)

POS	CODICE	DESCRIZIONE
1	7817001	SCREW TPS M5X16 A2
2	5470501	SHOWER D57 AISI 304
3	5285501TP	SHOWER-HOLDER D57
4	7493008	GASKET H9,3 NBR 90SH
5	5280505TW	COUPLING RING
6	7496004	OR GASKET 139
7	5283520.01	HEATING ELEMENT FLANGE
8	5018460LW	COUPLING RING CHROMED
9	7814002	PLAIN WASHER D5 UNI 6592 A2
10	7816014	SCREW M8X20 UNI5931 A2
11	7816021	SCREW TCEI M5X25 UNI 5931 A2
12	7634808	THERMIC SAFETY DEVICE 250V 95°C AUTOMATIC
13	7816009	SCREW TCEI M4X10
14	7666003	PROBE RING FOR PID
15	5162316LL	HOSE FOR SOLENOID VALVE OF GROUP
16	5302004	FITTING M12X1/8"G
17	5223003	JET M6X6 HOLE D0.8 BRASS
18	5302014	FITTING M13X1/8"G
19	7701117	SOLENOID VALVE 3 WAY 115V ODE
19	7702316	SOLENOID VALVE 3 WAY 230V ODE
19	7702411	SOLENOID VALVE 3 WAY 240V ODE
20	5370313	RUBBER-HOLDER
21	7611516	CLAMP
22	5301504TR	UNION ELBOW 1/8"GXM12
23	5963097.01	ASSEMBLY HEATING ELEMENT 110V
23	5963098.01	ASSEMBLY HEATING ELEMENT 220/240V

Table 3 (Up to 30.01.13)

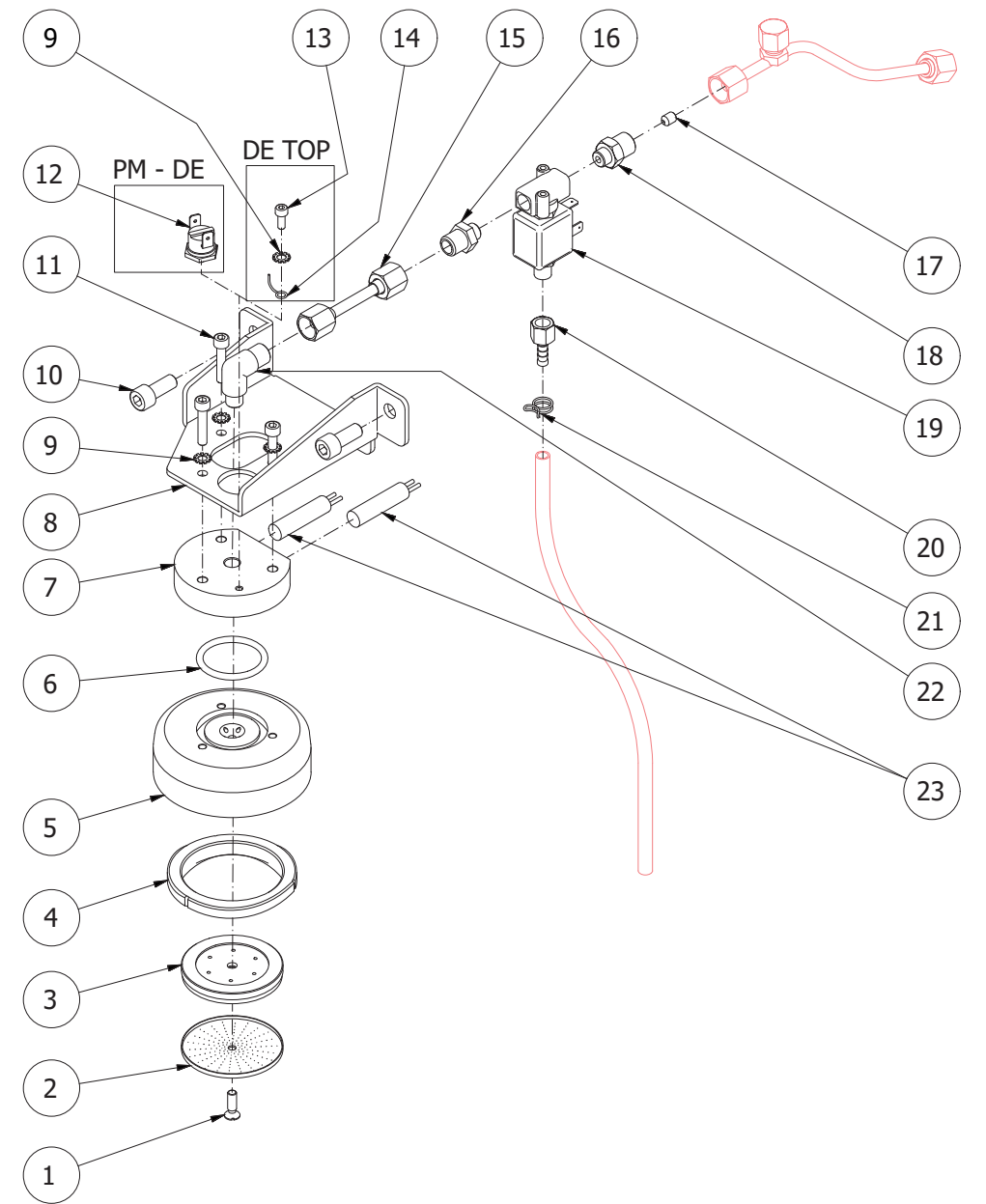


Table 3 (from 31.01.13)

POS	CODICE	DESCRIZIONE
1	7817001	SCREW TPS M5X16 A2
2	5470501	SHOWER D57 AISI 304
3	5285501TP	SHOWER-HOLDER D57
4	7493008	GASKET H9,3 NBR 90SH
5	5280505TW	COUPLING RING
6	7496004	OR GASKET 139
7	5283520.01	HEATING ELEMENT FLANGE
8	5018460.01CT	COUPLING RING CHROMED
9	7814002	PLAIN WASHER D5 UNI 6592 A2
10	7816014	SCREW M8X20 UNI5931 A2
11	7816021	SCREW TCEI M5X25 UNI 5931 A2
12	7634808	THERMIC SAFETY DEVICE 250V 95°C AUTOMATIC
13	7816009	SCREW TCEI M4X10
14	7666003	PROBE RING FOR PID
15	5162316LL	HOSE FOR SOLENOID VALVE OF GROUP
16	5302004	FITTING M12X1/8"G
17	5223003	JET M6X6 HOLE D0.8 BRASS
18	5302014	FITTING M13X1/8"G
19	7701112	SOLENOID VALVE 3 WAY 115V PARKER
19	7702311	SOLENOID VALVE 3 WAY 230V PARKER
19	7702410	SOLENOID VALVE 3 WAY 240V PARKER
20	5370313	RUBBER-HOLDER
21	7611516	CLAMP
22	5301504TR	UNION ELBOW 1/8"GXM12
23	5963097.01	ASSEMBLY HEATING ELEMENT 110V
23	5963098.01	ASSEMBLY HEATING ELEMENT 220/240V
24	7703014	ELECTROPILOT PARKER 3 WAY SMALL
25	7630332	SOLENOID VALVE COIL 115V PARKER
25	7630331	SOLENOID VALVE COIL 230V PARKER
25	7630330	SOLENOID VALVE COIL 240V PARKER

Table 3 (from 31.01.13)

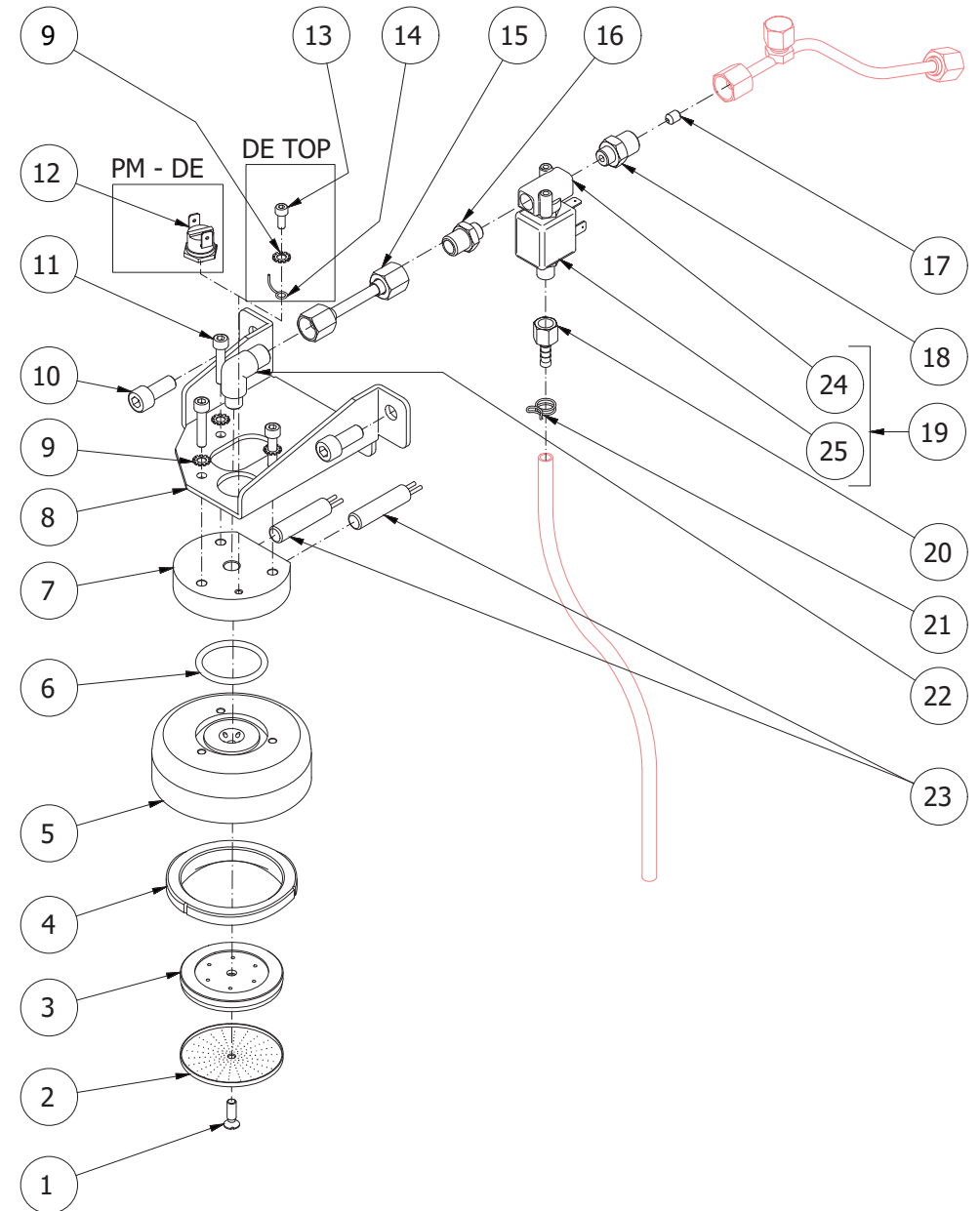


Table 4 (Up to 02/04/14)

POS	CODICE	DESCRIZIONE
1	5074609LW	DIP TRAY GRID
2	5222222	SPACER
3	7819912	SCREW M4X6
4	5340515	BRACKET
5	5965187	ASSEMBLY GRID
6	7819901	SCREW TTEI M4X12
7	5058122LW	SUPPORT

Table 4 (Up to 02/04/14)

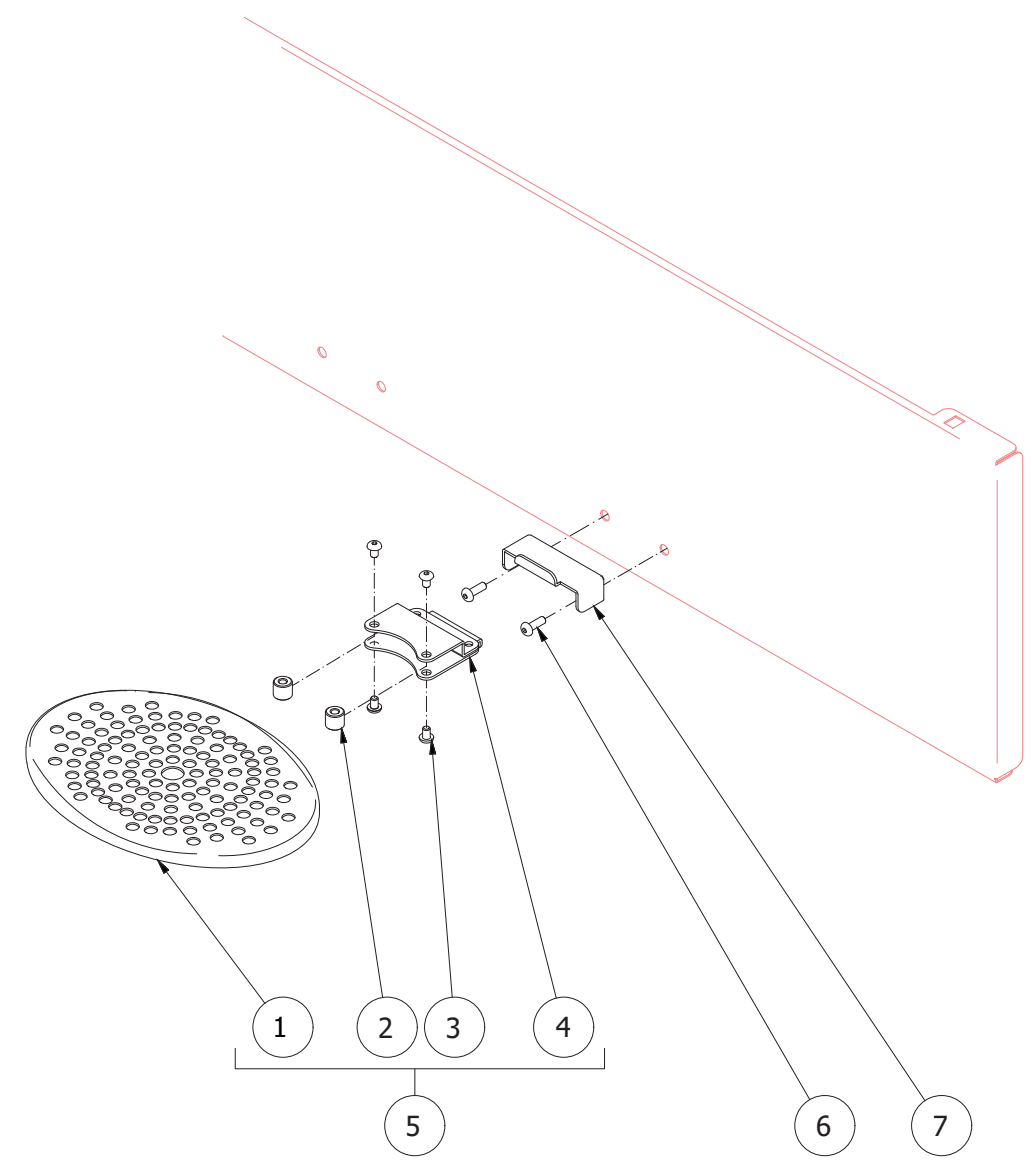


Table 5 Mod. DE - PM

POS	CODICE	DESCRIZIONE
1	7614003	NUT PG16 POLYAMIDE
1	7614004	NUT PG21 POLYAMIDE
2	5373301.01	ELECTRIC BOX 129X161
3	7633335	BASEMENT SWITCH 2 POSITIONS 6 CONTACTS
3	7633336	BASEMENT SWITCH 2 POSITIONS 4 CONTACTS
4	7612513	CLAMP 4 CONTACTS
5	7816004	SCREW TCEI M4X16
6	7614001	CABLE-PRESS PG16 POLYAMIDE
6	7614002	CABLE-PRESS PG21 POLYAMIDE
7	7613001	FAIRLEAD P36 RUBBER
8	5493017	GASKET 163.4X130X1
9	7826208	SCREW TCI M3X7 UNI 6107 BRASS
10	5373101.01	ELECTRIC BOX COVER
11	7661033.02PR	LEVEL REGULATOR 3 PROBES 110 (PM version)
11	7661043.01PR	LEVEL REGULATOR 3 PROBES 220/240V (PM version)
11	7662740.01PR	ELECTRONIC DOSAGE DE 110/120V (DE version)
11	7662741.01PR	ELECTRONIC DOSAGE DE 220/240V (DE version)
11	7662641.02PR	ELECTRONIC DOSAGE DE 110/120V (DE version WITH MIXER)
11	7662643.02PR	ELECTRONIC DOSAGE DE 220/240V (DE version WITH MIXER)
12	7635423	RELAIS 30A 120V
12	7635422	RELAIS 30A 220/240V
13	7730508	PUMP JOINT KIT
14	7611508	PUMP CLAMP
15	7821403	NUT M6 UNI 5587 BRASS
16	7470601	VIBRATION-DAMPING D25X10
17	7805004	PLAIN WASHER D6 UNI 6592 FEZN
18	7741102	ELECTRIC MOTOR 110V
18	7742206	ELECTRIC MOTOR 220/240V 50/60HZ
19	7434001	MANUAL THERMOSTAT
20	7612502	CLAMP 4 CONTACTS
21	7809800	TAPPING SCREW TB D3.9 X 9.5 UNI6954 A2
22	5373104.01LL	DRAIN CUP COVER
23	7303503	DRAIN HOSE 3/4"G L=2000MM
24	5225294	FITTING MF 3/4"X3/8"G
25	5374501.01	DRIP TRAY
26	3551501	CONNECTING CABLE 3X12AWG L=2MT (1GR 110V-220V USA)
26	3556003	CONNECTING CABLE 3X10AWG L=2,2MT(2-3GR 110V-220VUSA)
26	3552404.02	CONNECTING CABLE H07RNF 3X2,5 MM ^ 2 (220/240V)
26	3552703.01	CONNECTING CABLE 3X4 MM ^ 2 L=2,2MT
26	3553904.01	CONNECTING CABLE 5X2,5 MM ^ 2 L=2,2MT
27	5094210SG1	BASEMENT FRONTAL 1GR GREY
27	5094211SG1	BASEMENT FRONTAL 2GR GREY
27	5094217SG1	BASEMENT FRONTAL + GAS RG20 2GR GREY
27	5094212SG1	BASEMENT FRONTAL 3GR GREY
27	5094218SG1	BASEMENT FRONTAL + GAS RG20 3GR GREY
28	7813801	WASHER D4

Table 5 Mod. DE - PM

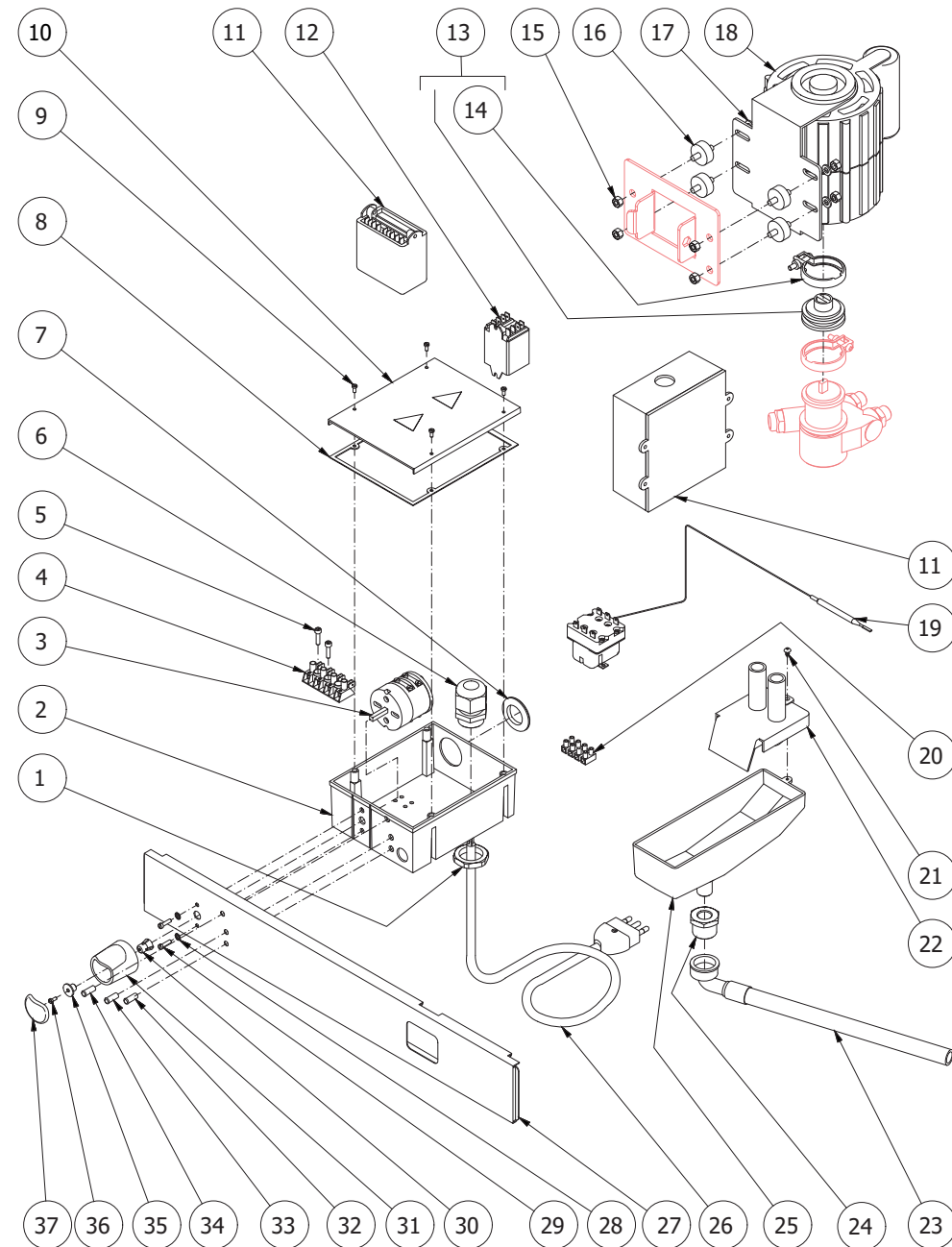


Table 5 Mod. DE - PM

POS	CODICE	DESCRIZIONE
29	7630901	SCREW TCI M3,5X15
30	7473034	INSERT NEW WITH A MILLED HOLE
31	5371811	SWITCH KNOB BLACK
31	5371813CM	SWITCH KNOB CHROMED
32	7633606.01	RED LAMP
33	7633604.01	ORANGE LAMP
34	7633602.01	GREEN LAMP
35	5220803	SLEEVE D15X3 H9.5
36	7809802	SCREW TC M3X25
37	5373928	PLUG

Table 5 Mod. DE - PM

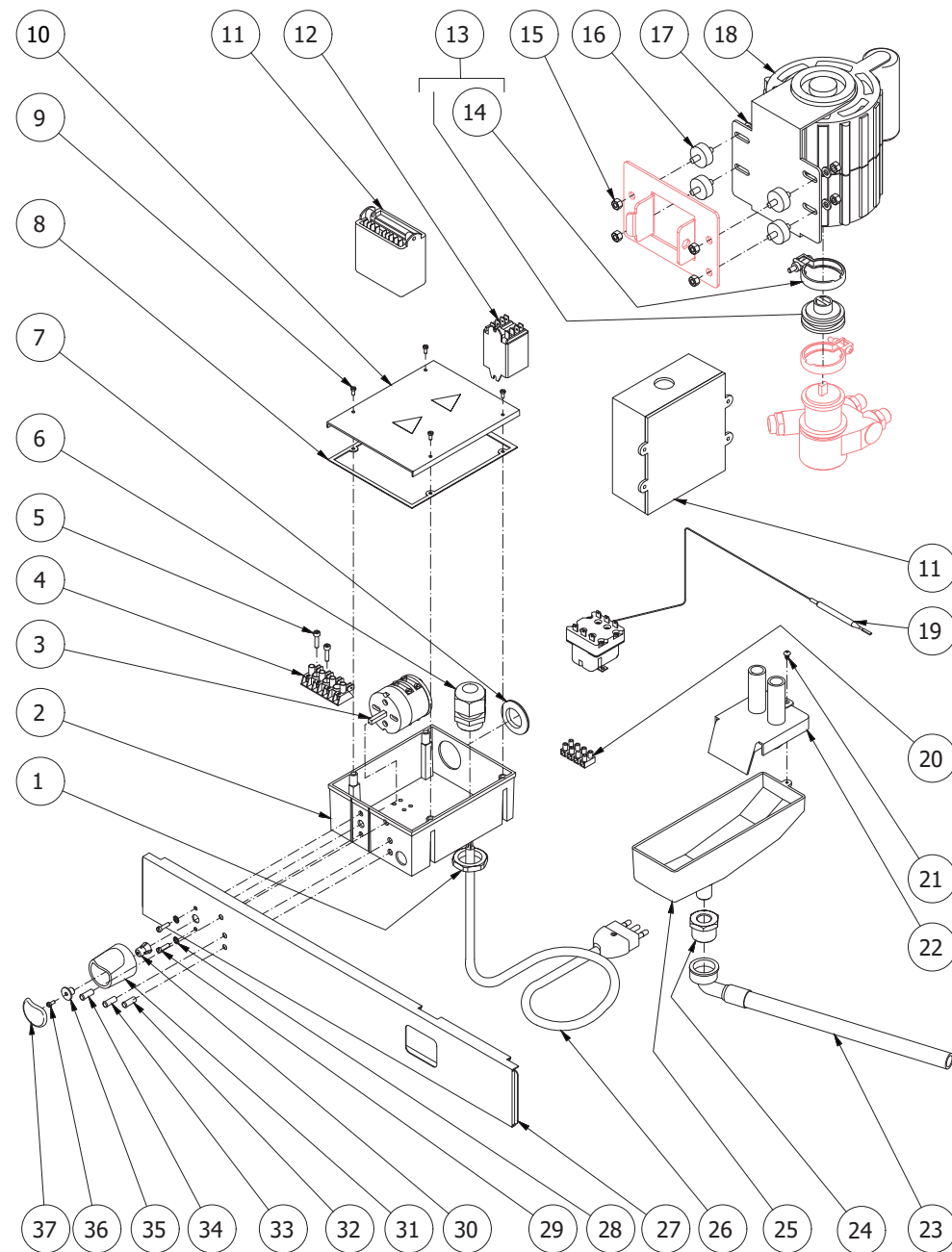


Table 5A Mod. DE TOP

POS	CODICE	DESCRIZIONE
1	7614003	NUT PG16 POLYAMIDE
1	7614004	NUT PG21 POLYAMIDE
2	5373301.01	ELECTRIC BOX 129X161
3	7633334	BASEMENT SWITCH 1 POS.25A
4	7612513	CLAMP 4 CONTACTS
5	7816004	SCREW TCEI M4X16
6	7614001	CABLE-PRESS PG16 POLYAMIDE
6	7614002	CABLE-PRESS PG21 POLYAMIDE
7	7613001	FAIRLEAD P36 RUBBER
8	5493017	GASKET 163.4X130X1
9	7826208	SCREW TCI M3X7 UNI 6107 BRASS
10	5373101.01	ELECTRIC BOX COVER
11	7635424.01	RELAY SSR FOR PID
12	7662738R	ELECTRONIC DOSAGE DE 110/120V
12	7662737.01R	ELECTRONIC DOSAGE 220/240V
13	7635425	TRIAC BOARD
14	7730508	PUMP JOINT KIT
15	7611508	PUMP CLAMP
16	7821403	NUT M6 UNI 5587 BRASS
17	7470601	VIBRATION-DAMPING D25X10
18	7805004	PLAIN WASHER D6 UNI 6592 FEZN
19	7741102	ELECTRIC MOTOR 110V
19	7742206	ELECTRIC MOTOR 220/240V 50/60HZ
20	7635423	RELAIS 30A 120V
20	7635422	RELAIS 30A 220/240V
21	7434001	MANUAL THERMOSTAT
22	7612502	CLAMP 4 CONTACTS
23	7809800	TAPPING SCREW TB D3.9 X 9.5 UNI6954 A2
24	5373104.01LL	DRAIN CUP COVER
25	7303503	DRAIN HOSE 3/4"G L=2000MM
26	5225294	FITTING MF 3/4"X3/8"G
27	5374501.01	DRIP TRAY
28	3551501	CONNECTING CABLE 3X12AWG L=2MT (1GR 110V-220V USA)
28	3556003	CONNECTING CABLE 3X10AWG L=2,2MT(2-3GR 110V-220VUSA)
28	3552404.02	CONNECTING CABLE H07RNF 3X2,5 MM ^ 2 (220/240 V)
28	3552703.01	CONNECTING CABLE 3X4 MM ^ 2 L=2,2MT
28	3553904.01	CONNECTING CABLE 5X2,5 MM ^ 2 L=2,2MT
29	5094832SG	BASEMENT FRONTAL 1GR GREY
29	5094833SG	BASEMENT FRONTAL 2GR GREY
29	5094834SG	BASEMENT FRONTAL 3GR GREY
30	7813801	WASHER D4
31	7630901	SCREW TCI M3,5X15
32	7473034	INSERT NEW WITH A MILLED HOLE
33	5371811	SWITCH KNOB BLACK
33	5371813CM	SWITCH KNOB CHROMED
34	5220803	SLEEVE D15X3 H9.5

Table 5A Mod. DE TOP

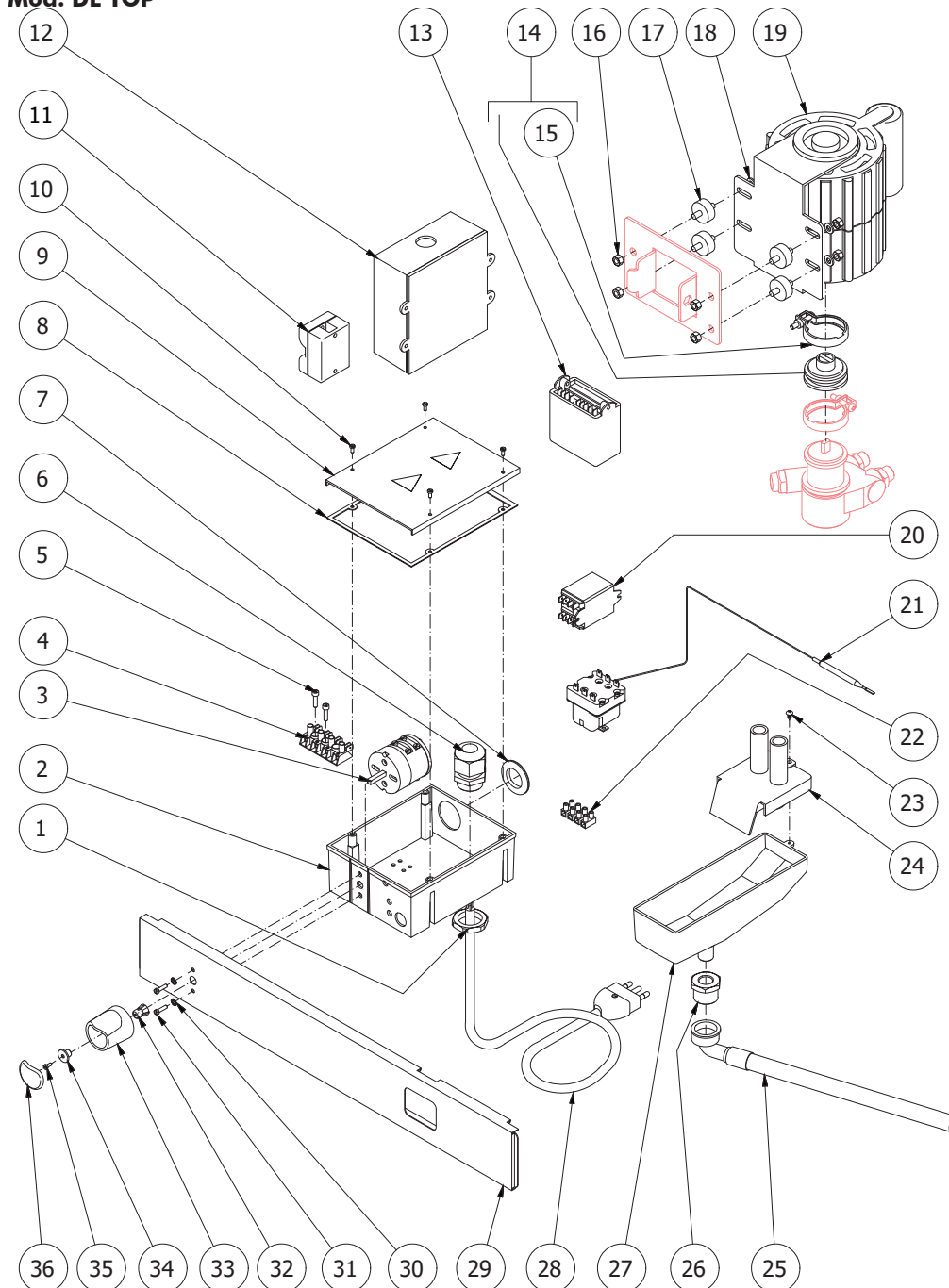


Table 6

POS	CODICE	DESCRIZIONE
1	5492005	GASKET D203X151X2 ASBESTOS FREE
2	5283522AL	BOILER FLANGE D205 BRASS
3	7816424	SCREW TE M10X18 DIN 933 A2
4	7615003	FASTON 45° HOLE D4.3
5	7814002	PLAIN WASHER D5 UNI 6592 A2
6	7826212	SCREW TCI M4X6 UNI 6107 BRASS
7	5492006	GASKET D76X39X2 ASBESTOS FREE
8	5722249	HEATING ELEMENT 1GR 1400W 110/120V
8	5722241	HEATING ELEMENT 1GR 1850/2200W 220/240V
8	5721131	HEATING ELEMENT 2GR 2600W 110/120V
8	5722242AL	HEATING ELEMENT 2GR 2750/3300W 220/240V
8	5722243AL	HEATING ELEMENT 3GR 4600/5450W 220/240V
9	7816423	SCREW TE M8X18 DIN933 A2
10	5226405TP	PLUG 1/4"G ES.16 H13 BRASS
11	5226404	PLUG M10 H12 BRASS
12	7666002	PROBE T.PID
13	5162001LL	PRESSURE SWITCH HOSE
14	5221821	NUT 1/4"G H5 BRASS
15	7433001	PRESSURE SWITCH P302/6 (2-3GR 110V - 3GR 220/400V)
16	5037830LW	PRESSURE SWITCH SQUARE
17	5492008	GASKET D10.5X2
18	5221813	PLUG M12X1 BRASS
19	5265804	LEVEL PROBE 1GR D3X110X6.3
19	5265807	LEVEL PROBE 2-3GR. D3X90X6.3 AISI 304
20	5265811	LEVEL PROBE D3X160X4.8
21	5225205	STRAIGHT FITTING M10 BRASS
22	5192001	PROBE SHEATH D8X45 HOLE D3
23	5471019	FILTER D8,5
24	5301506TR	UNION ELBOW M13X1/4"GC
25	5302019	FITTING M13X1/4" ES.15 H25.5 BRASS
26	5963047	COMPLETE CUP
27	5192316	SUCTION HOSE D6 L=180MM PTFE
28	5965015.06	ASSEMBLY SAFETY VALVE 1.5 BAR
29	5225415.01	FITTING 1/2"GX1/4"G
30	5226403	PLUG 3/8"G
31	7823001	DOWEL EI 1/8"GX8 UNI5923 BRASS (up to31.03.16)
32	5320515.01BL	BOILER 1 GR.
32	5321015.01BL	BOILER 2GR.
32	5321515.01BL	BOILER 3GR.
33	5226415	FITTING 1/2"G
34	7304502TR	STRAIGHT FITTING 1/8"G
35	5192307LL	WATER SUCTION HOSE D6X1 L=80
36	5492020	GASKET D11.5X2
37	5221840	CAP NUT M13X1
38	7496094	GASKET
39	5264017.01DC	STUD

Table 6

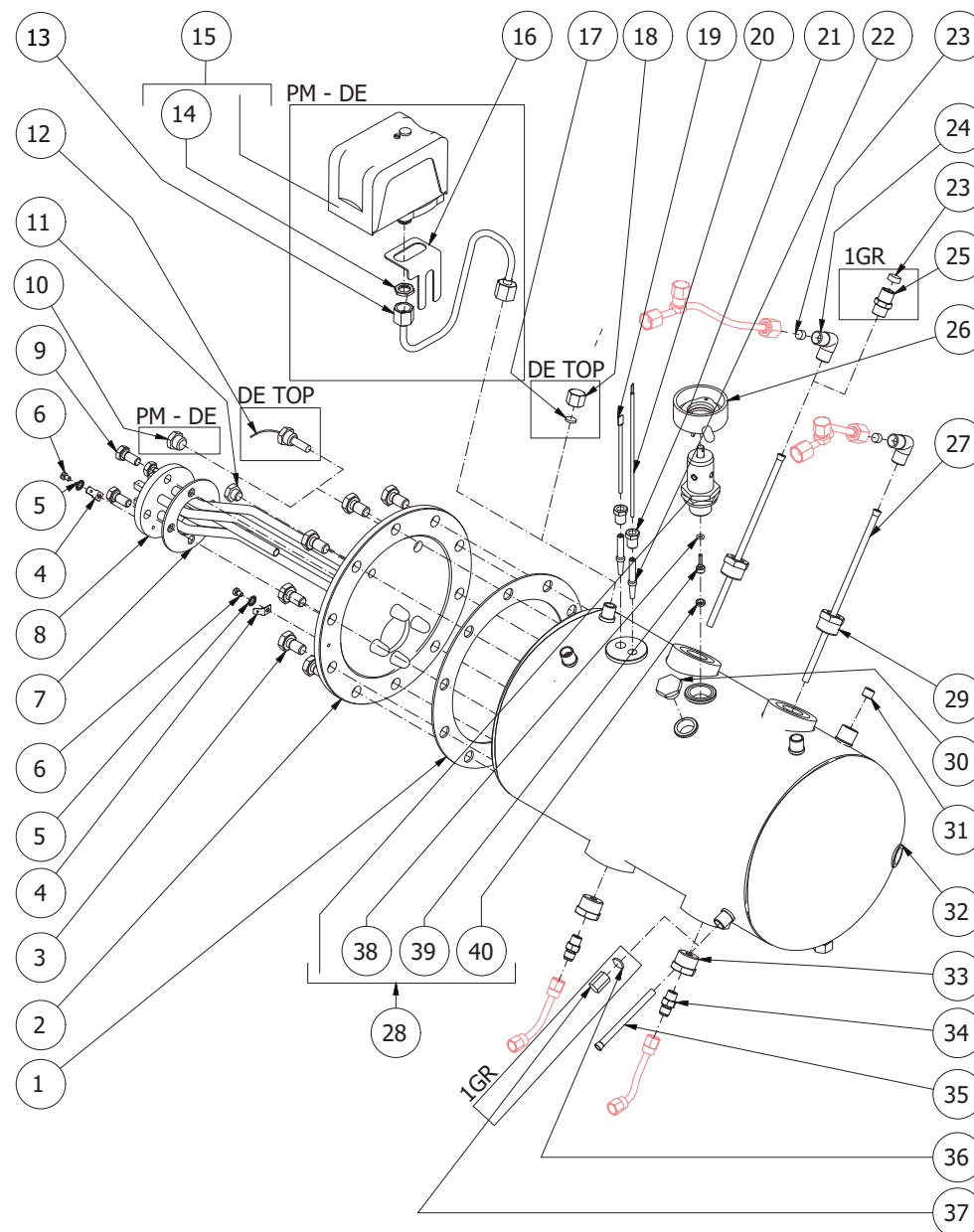


Table 6	POS	CODICE	DESCRIZIONE
	40	5226417.01DC	PLUG
	41	5492021	GASKET D18x10x2 (from 01.04.16)
	42	5164087LL	SURPRESSION VALVE HOSE (from 01.04.16)
	43	5226406	PLUG 1/2"G H18 BRASS (from 01.04.16)

Table 6

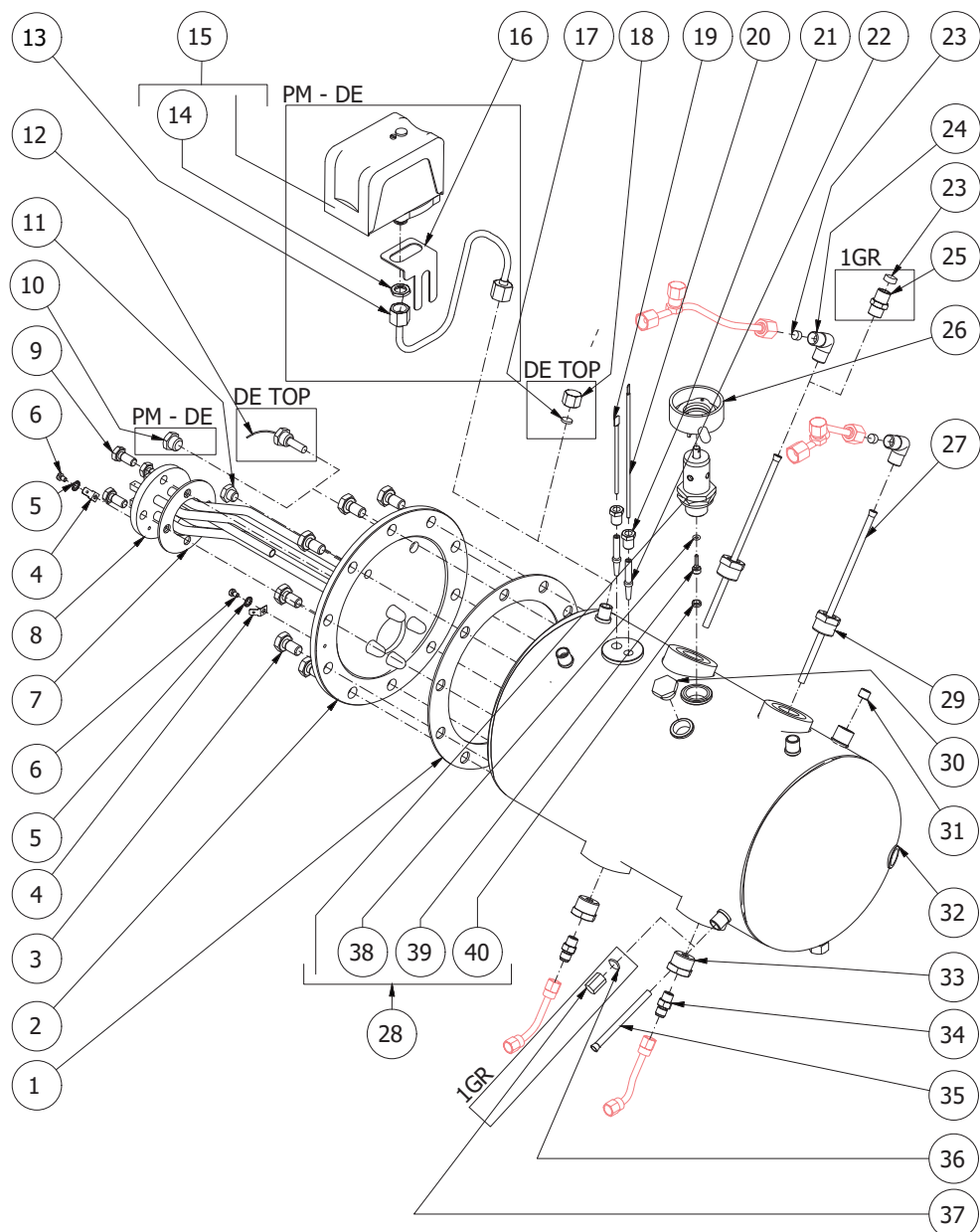


Table 7

POS	CODICE	DESCRIZIONE
1	5373927	WATER PLUG
2	5283002	TAP BODY BRASS
3	7496076	OR GASKET 112 EPDM 70SH
4	5226601TW	WATER HOSE TERMINAL M22 CHROMED
5	5329016DC	MIXER BODY
6	7611502	CLAMP D14
7	5194595	HOSE D15X10 L=500MM SILICONE
8	5163286LL	STEAM HOSE
9	5163304LL	WATER HOSE
10	5192301	SUCTION HOSE D6 L=130MM PTFE
11	5966560.01	ASSEMBLY COMPLETE STEAM HOSE
13	5471504	SPRING D14 AISI 302
14	7496076	OR GASKET 112 EPDM 70SH
15	5224605	GASKET-HOLDER D14.7X10.5 BRASS
16	5494002	GASKET D16X6X6 PTFE GRAPHITIZED
17	7479984	STEAM HOSE INOX
18	7371003	INSULATING
19	7496084	GASKET
20	7305015	TERMINAL 4 HOLES
21	7822201	CAP NUT M4 BRASS
22	7825001	PLAIN WASHER D8X4X0.8 BRASS
23	5493023	TAP GASKET EPT 70SH
24	5970504.01	GASKET-HOLDER WITH DOWEL
25	7496002	OR GASKET 115 VITON
26	7496075	OR GASKET 10,82X1,78
27	5220411	ADJUSTMENT ROD
28	5495001	GASKET D28X1 COPPER
29	5223402	NUT SCREW
30	7810601	RING D7
31	5221804NC	NUT 3/8"G NICKEL-PLATED BRASS
32	5371810	BLACK KNOB
32	5371812CM	KNOB CHROMED
33	7804002	FAN WASHER D6
34	7826202	SCREW TCI M5X10
35	5373926	STEAM PLUG
36	5964012R	ASSEMBLY TAP WITHOUT KNOB
37	5493003	GASKET D20.5X15 H2 NBR 70SH
38	7999918	CARTRIDGE AERATOR
39	7305020TW	WATER HOSE TERMINAL

Table 7

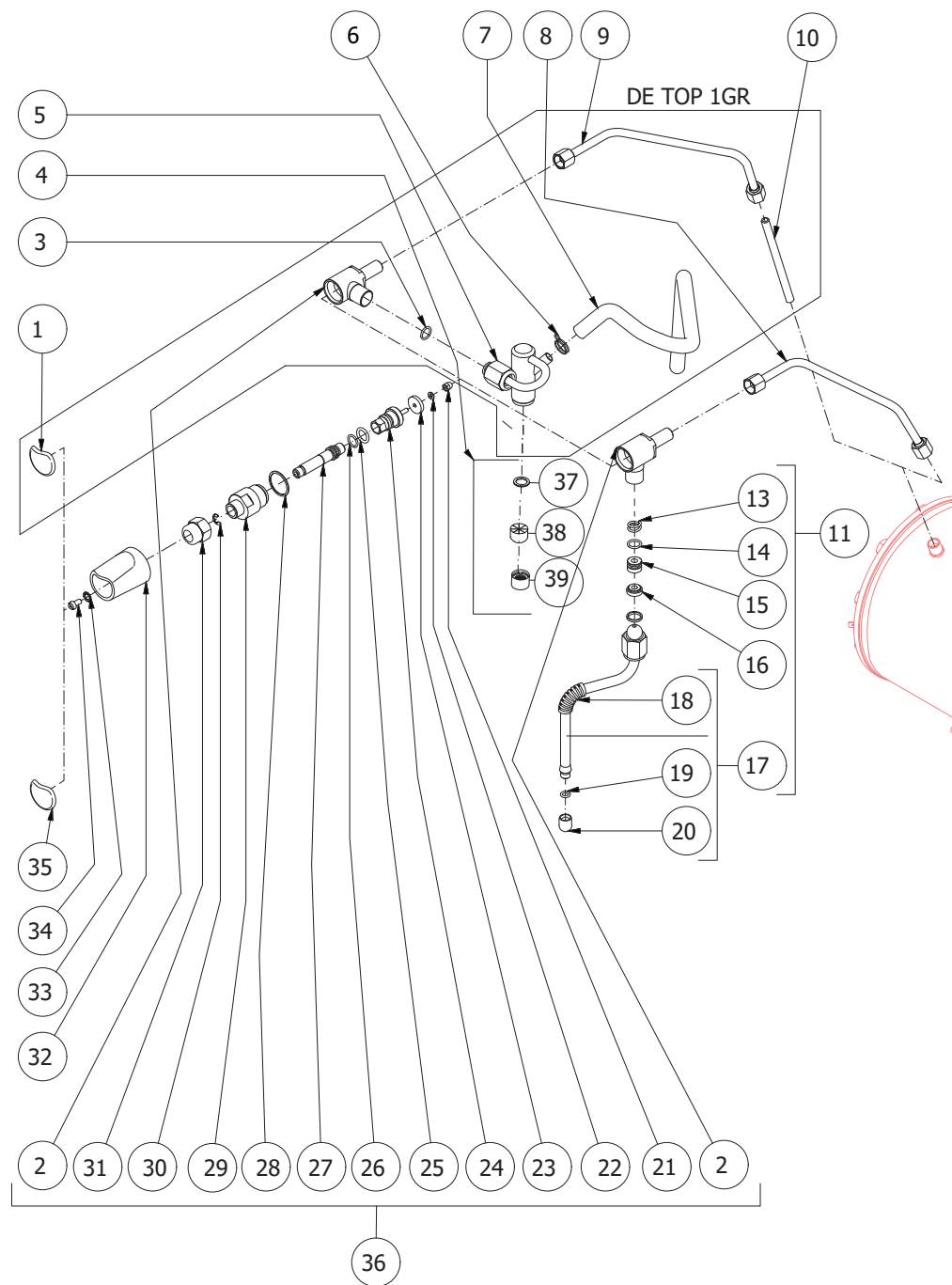


Table 7A

POS	CODICE	DESCRIZIONE
1	5373926	STEAM PLUG
2	7826202	SCREW TCI M5X10
3	7804002	FAN WASHER D6
4	5371810	BLACK KNOB
4	5371812CM	KNOB CHROMED
5	5221804NC	NUT 3/8"G NICKEL-PLATED BRASS
6	7810601	RING D7
7	5223402	NUT SCREW
8	5495001	GASKET D28X1 COPPER
9	5220411	ADJUSTMENT ROD
10	7496075	OR GASKET 10,82X1,78
11	7496002	OR GASKET 115 VITON
12	5970504.01	GASKET-HOLDER WITH DOWEL
13	5493023	TAP GASKET EPT 70SH
14	7825001	PLAIN WASHER D8X4X0.8 BRASS
15	7822201	CAP NUT M4 BRASS
16	5163296LL	STEAM HOSE
17	5283002	TAP BODY BRASS
18	5966560.01	ASSEMBLY COMPLETE STEAM HOSE
20	5471504	SPRING D14 AISI 302
21	7496076	OR GASKET 112 EPDM 70SH
22	5224605	GASKET-HOLDER D14.7X10.5 BRASS
23	5494002	GASKET D16X6X6 PTFE GRAPHITIZED
24	7479984	STEAM HOSE INOX
25	7371003	INSULATING
26	7496084	GASKET
27	7305015	TERMINAL 4 HOLES
28	5163287LL	STEAM HOSE
29	5302014	FITTING M13X1/8"G
30	7630327	SOLENOID VALVE COIL 110V PARKER
30	7630328	SOLENOID VALVE COIL 220/230V PARKER
30	7630329	SOLENOID VALVE COIL 240V PARKER
31	7701111	SOLENOID VALVE 2 WAY 115V PARKER
31	7702310	SOLENOID VALVE 2 WAY 230V PARKER
31	7702409	SOLENOID VALVE 2 WAY 240V PARKER
32	5162327LL	STEAM HOSE
33	5225414	FITTING M14XM13
34	7814002	PLAIN WASHER D5 UNI 6592 A2
35	7816009	SCREW TCEI M4X10
36	7479987	STEAM NOZZLE WITH SENSOR TEMPERATURE
37	5192307LL	WATER SUCTION HOSE D6X1 L=80
38	5163290LL	WATER HOSE
39	7816016	SCREW TCEI M3X6
40	7630327	SOLENOID VALVE COIL 110V PARKER
40	7630328	SOLENOID VALVE COIL 220/230V PARKER
40	7630329	SOLENOID VALVE COIL 240V PARKER

Table 7A

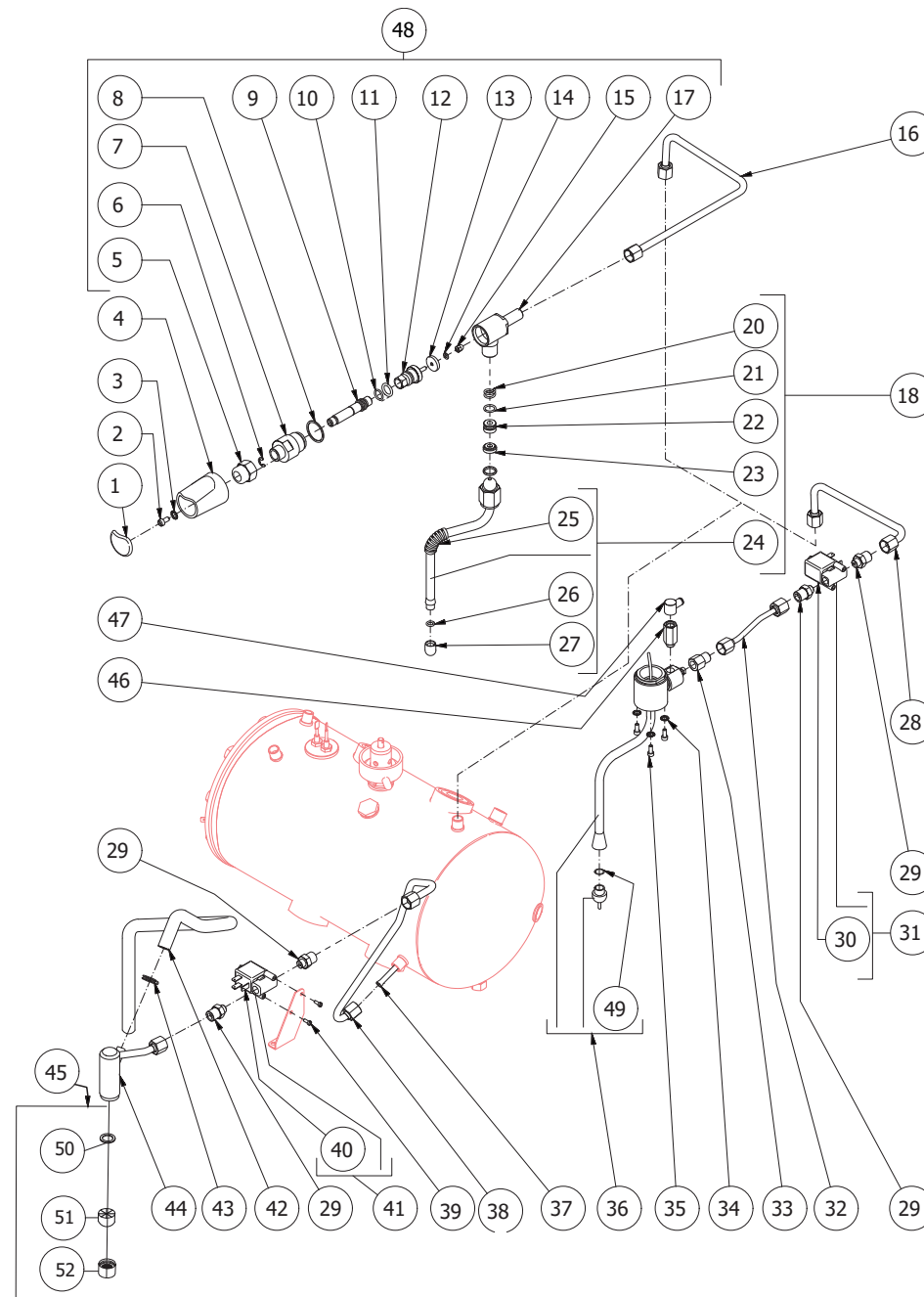


Table 7A

POS	CODICE	DESCRIZIONE
41	7701111	SOLENOID VALVE 2 WAY 115V PARKER
41	7702310	SOLENOID VALVE 2 WAY 230V PARKER
41	7702409	SOLENOID VALVE 2 WAY 240V PARKER
42	5194595	HOSE D15X10 L=500MM SILICONE
43	7611502	CLAMP D14
44	5329015DC	MIXER BODY
45	5226601TW	WATER HOSE TERMINAL M22 CHROMED
46	5222223	SPACER
47	7402402	REGULATOR
48	5964012R	ASSEMBLY TAP WITHOUT KNOB
49	7496091	OR GASKET 108
50	5493003	GASKET D20.5X15 H2 NBR 70SH
51	7999918	CARTRIDGE AERATOR
52	7305020TW	WATER HOSE TERMINAL

Table 7A

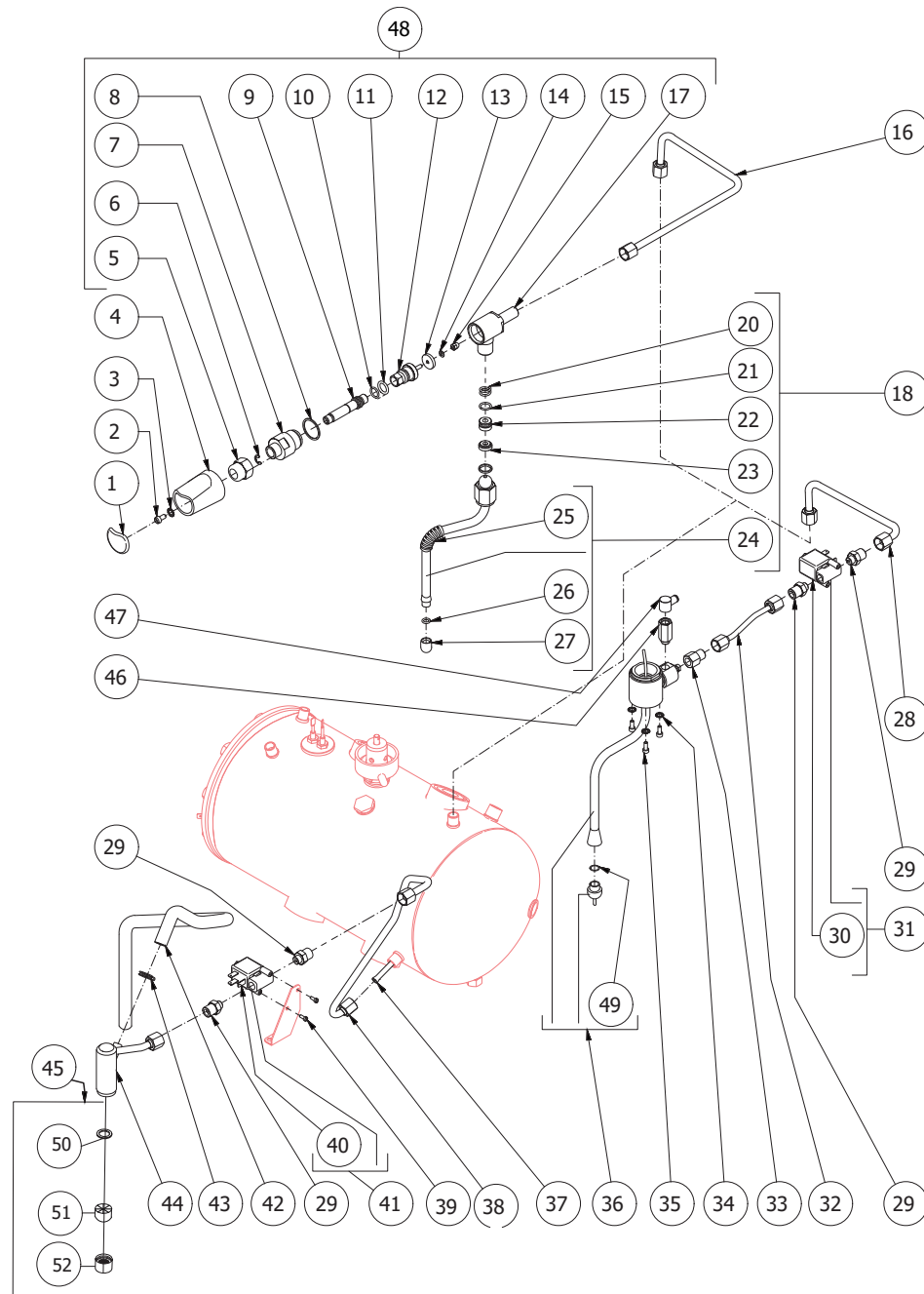
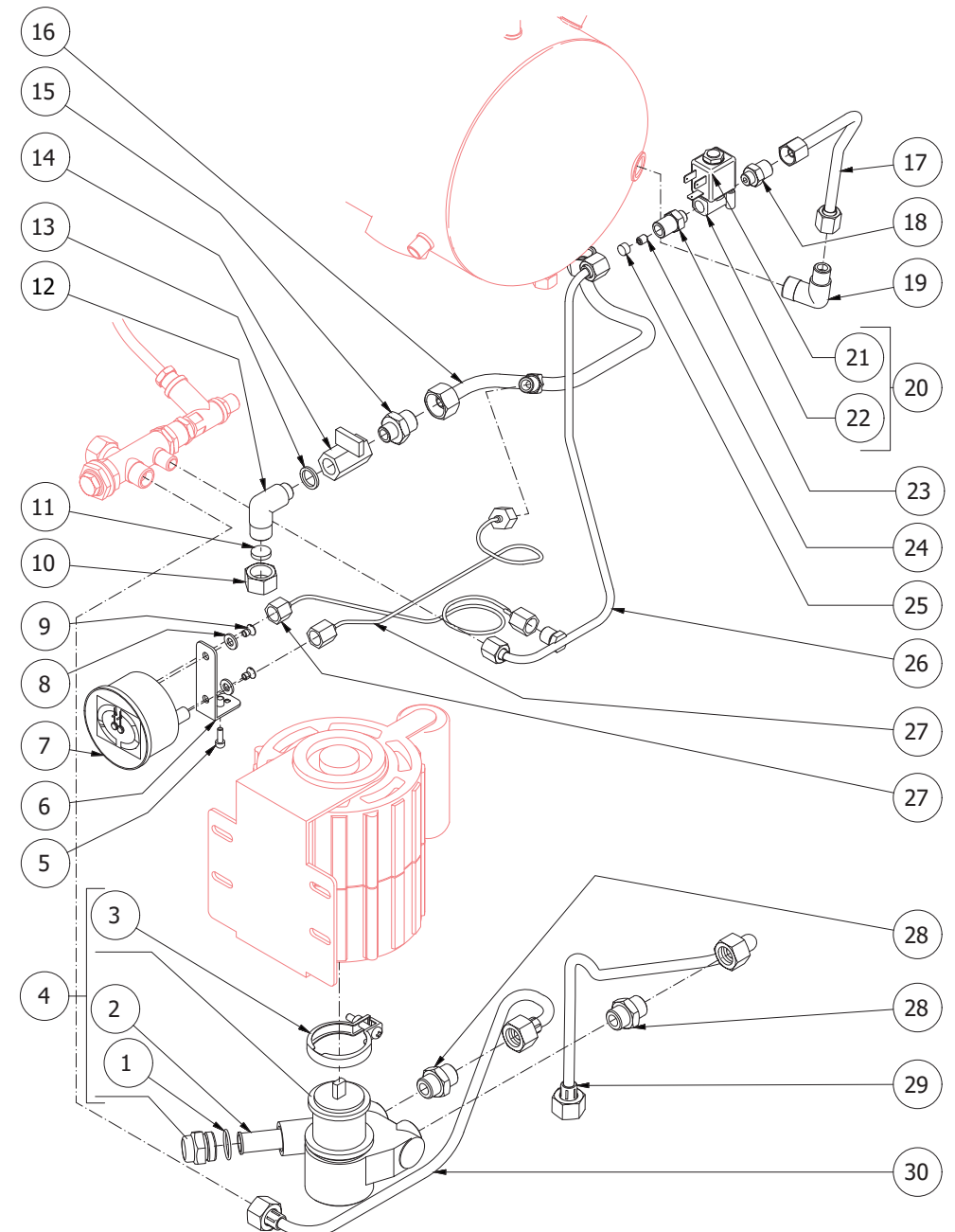


Table 8

POS	CODICE	DESCRIZIONE
1	7496033	OR GASKET 2075 NBR
2	7374005	PUMP FILTER
3	7611508	PUMP CLAMP
4	7730506	PUMP 100 L/H 1-2GR
4	7730507	PUMP 200 L/H 3GR
5	7816002	SCREW TCEI M4X12
6	5018409LL	PRESSURE GAUGE SUPPORT
7	7432528	WHITE PRESSURE GAUGE D63 DOUBLE SCALE
8	7805004	PLAIN WASHER D6 UNI 6592 FEZN
9	7817401	SCREW TCS M5X8
10	5221819	CAP NUT 3/8" G
11	5492011	GASKET D15X3
12	5301501TR	UNION ELBOW 1/4"GX3/8" G BRASS
13	5495005	GASKET D13.5X18X2
14	7451501	BALL TAP FF 1/4" G
15	5302078	FITTING 1/4"GX3/8" G
16	5164001.01LL	BOILER DRAIN HOSE
17	5163288LL	BOILER LOAD HOSE
18	5302014	FITTING M13X1/8" G
19	5301507TR	UNION ELBOW 3/8"GXM13 BRASS
20	7701114	SOLENOID VALVE 2 WAY 110V PARKER
20	7702312	SOLENOID VALVE 2 WAY 220/240V PARKER
21	7630324	SOLENOID VALVE COIL 110V PARKER
21	7630325	SOLENOID VALVE COIL 220/240V PARKER
22	7703011	ELECTROPILOT PARKER
23	5225238	STRAIGHT FITTING M13X1/8" G
24	5223003	JET M6X6 HOLE D0.8 BRASS
25	5471019	FILTER D8,5
26	5162218LL	INLET PIPE L/A
27	7400901	PRESSURE GAUGE CAPILLARY
28	5302012.01AL	STRAIGHT FITTING 3/8"GX3/8"NPT BRASS
29	7200504	FLEXIBLE HOSE 3/8" L=1500 AISI 304
30	7200507	FLEXIBLE HOSE 3/8"FFC L=600MM

Table 8



POS	CODICE	DESCRIZIONE
1	5301507TR	UNION ELBOW 3/8"GXM13 BRASS
2	5302014	FITTING M13X1/8"G
3	7701114	SOLENOID VALVE 2 WAY 110V PARKER
3	7702312	SOLENOID VALVE 2 WAY 220/240V PARKER
4	7703011	ELECTROPILOT PARKER
5	7630324	SOLENOID VALVE COIL 110V PARKER
5	7630325	SOLENOID VALVE COIL 220/240V PARKER
6	5225238	STRAIGHT FITTING M13X1/8"G
7	5223003	JET M6X6 HOLE D0.8 BRASS
8	5471019	FILTER D8,5
9	5162339LL	INLET PIPE L/A
10	7816016	SCREW TCEI M3X6
11	5038429LL	EV SUPPORT
12	5192307LL	WATER SUCTION HOSE D6X1 L=80
13	5226601TW	WATER HOSE TERMINAL M22 CHROMED
14	5226610TW	WATER HOSE TERMINAL D23.5X18 CHROMED BRASS
15	7496003	OR GASKET 108 VITON
16	5163313LL	MIXER
17	5194606LL	HOSE
18	5163290LL	WATER HOSE
19	5302004	FITTING M12X1/8"G
20	7402403	REGULATOR
21	5162338LL	HOSE
22	5038434LL	EV SUPPORT
23	5163288LL	BOILER LOAD HOSE
24	7630327	SOLENOID VALVE COIL 110V PARKER
24	7630328	SOLENOID VALVE COIL 220/230V PARKER
24	7630329	SOLENOID VALVE COIL 240V PARKER
25	7701111	SOLENOID VALVE 2 WAY 115V PARKER
25	7702310	SOLENOID VALVE 2 WAY 230V PARKER
25	7702409	SOLENOID VALVE 2 WAY 240V PARKER
26	5493003	GASKET D20.5X15 H2 NBR 70SH
27	7999918	CARTRIDGE AERATOR
28	7305020TW	WATER HOSE TERMINAL

Table 8A

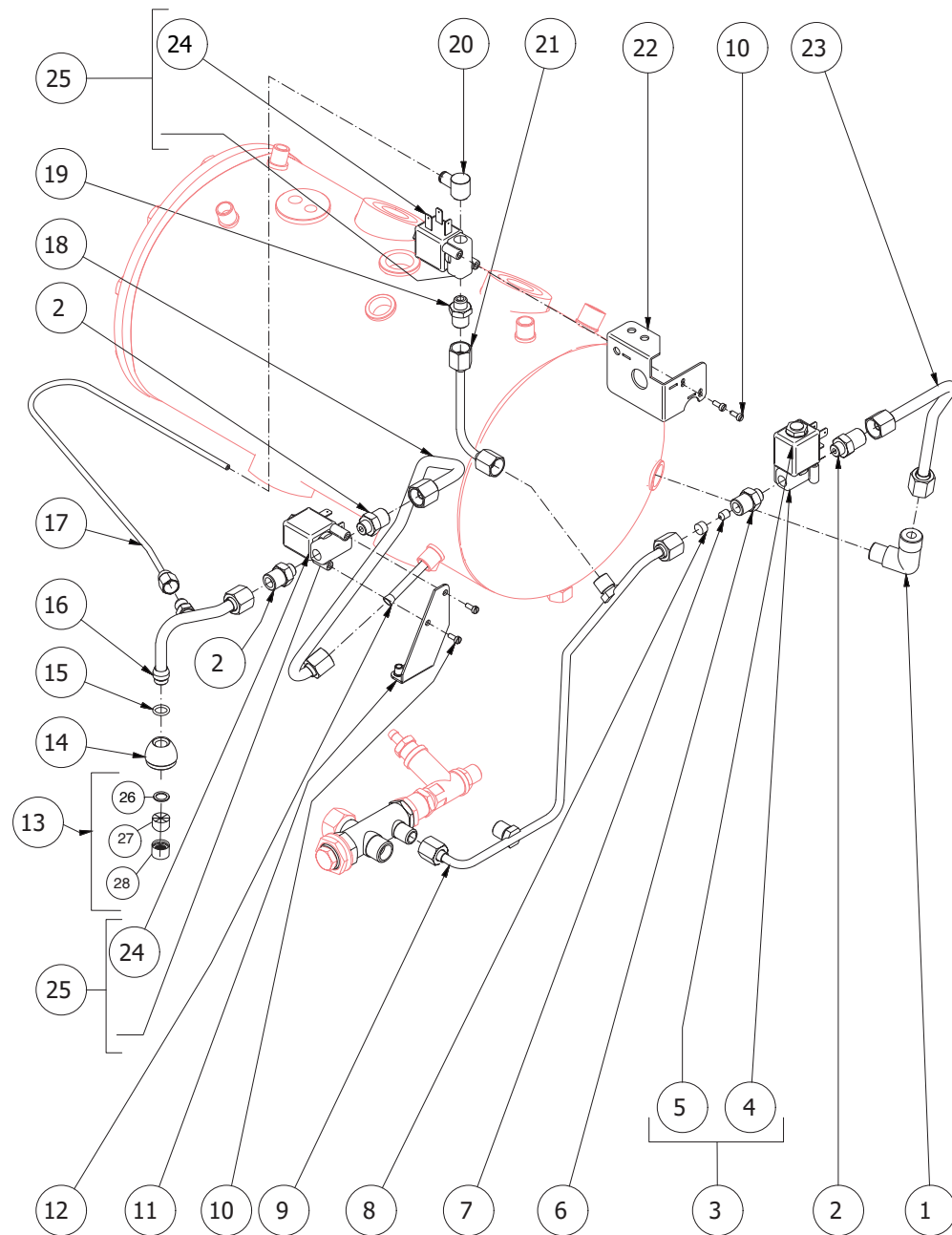


Table 9

POS	CODICE	DESCRIZIONE
1	5194549	HOSE D8X5 SILICONE L=350 1GR
1	5194550	HOSE D8X5 SILICONE L=400 2GR
1	5194551	HOSE D8X5 SILICONE L=450 3GR
2	5965164	ASSEMBLY SURPRESSION VALVE 12BAR
3	5302071	RUBBER-HOLDER FITTING M12X1
4	7496052	OR GASKET 114
5	5471506.01	CALIBRATED SPRING D1.1 H32 AISI 302
6	5224619TP	GASKET-HOLDER
7	5493001	GASKET D8X4 EPT
8	5283048	SURPRESSION VALVE BODY
9	7496018	GASKET OR 105
10	5224615TP	GASKET-HOLDER
11	5471505	CALIBRATED SPRING D0.45
12	5302018	STRAIGHT FITTING M12XM13X1
13	5221821	NUT 1/4"G H5 BRASS
14	5302061	FITTING MF 3/8X1/4
15	5471002	FILTER D13.5 H11 AISI 304
16	5302501	MULTIPLE FITTING 5 WAY
17	5999906	WASHER D20X30
18	5221823	NUT M20x1.25
19	5226405TP	PLUG 1/4"G ES.16 H13 BRASS
20	5221819	CAP NUT 3/8"G

Table 9

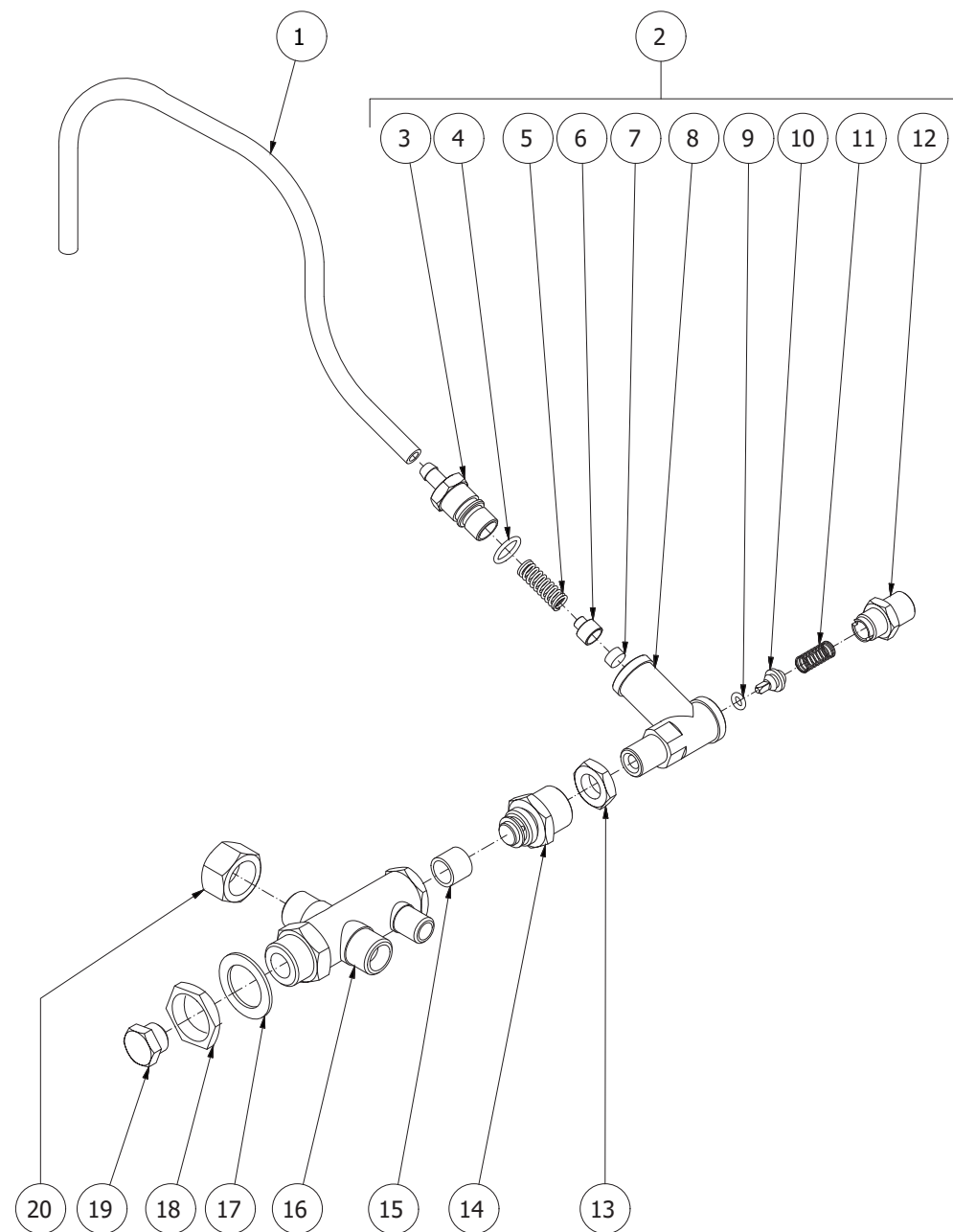




Table 10

POS	CODICE	DESCRIZIONE
1	5302011	STRAIGHT FITTING 3/8"G
2	7816005	SCREW TCEI M4X20
3	5225275	GLASS LEVEL FITTING 30X30X35 BRASS
4	5225204	STRAIGHT FITTING 3/8"G ES.22 H23 BRASS
5	5493004	GASKET D14.5X10X7 RUBBER 75SH
6	5221836	RING NUT 3/8"G D20 H11 BRASS
7	5430505	LEVEL HOSE D10X2.2 L= 120 PIREX
8	7400901	PRESSURE GAUGE CAPILLARY
9	5164084LL	GLASS-LEVEL HOSE
10	5163312LL	GLASS-LEVEL HOSE
11	5164082LL	COMPLETE BOILER DRAIN HOSE



Table 10

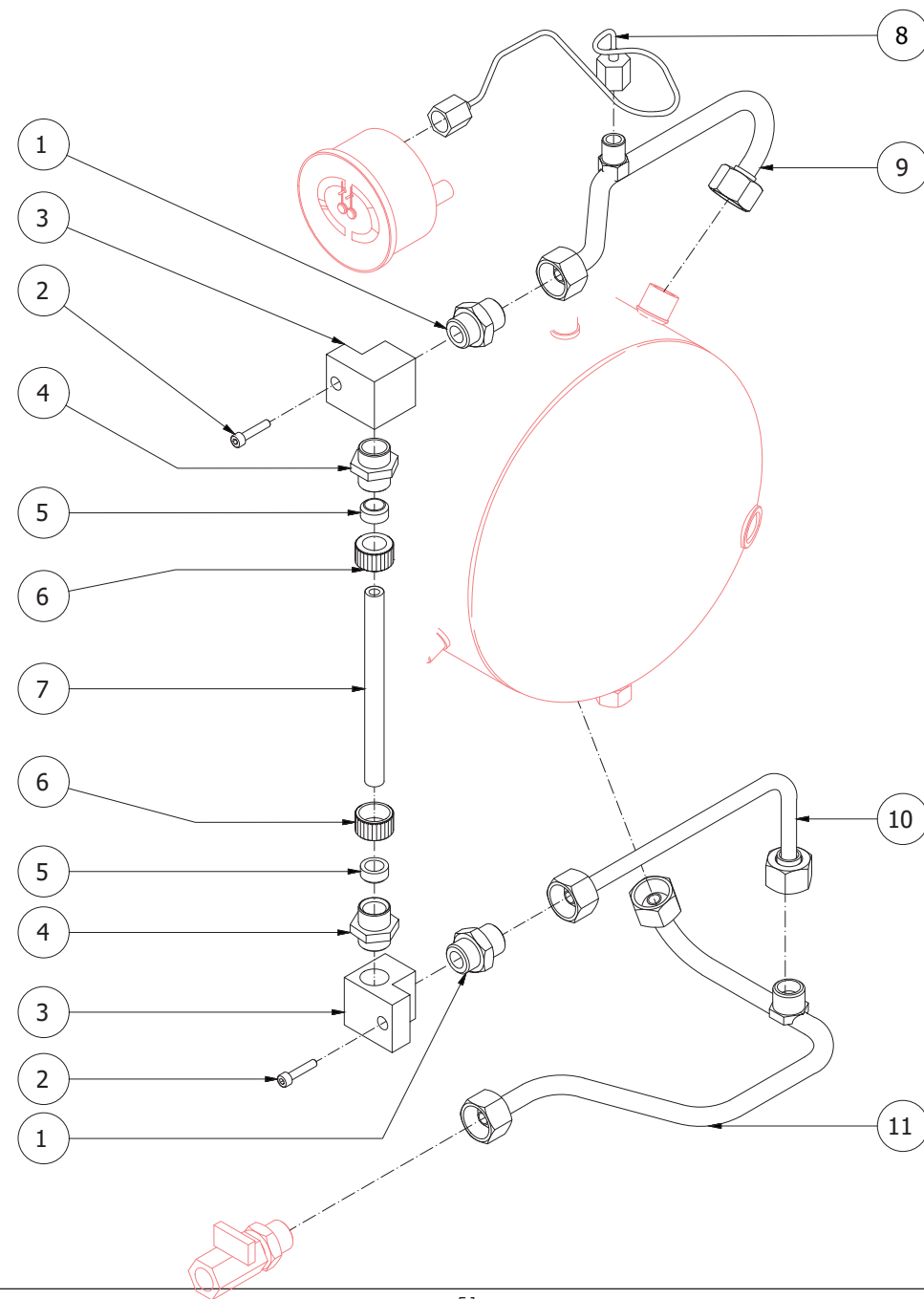
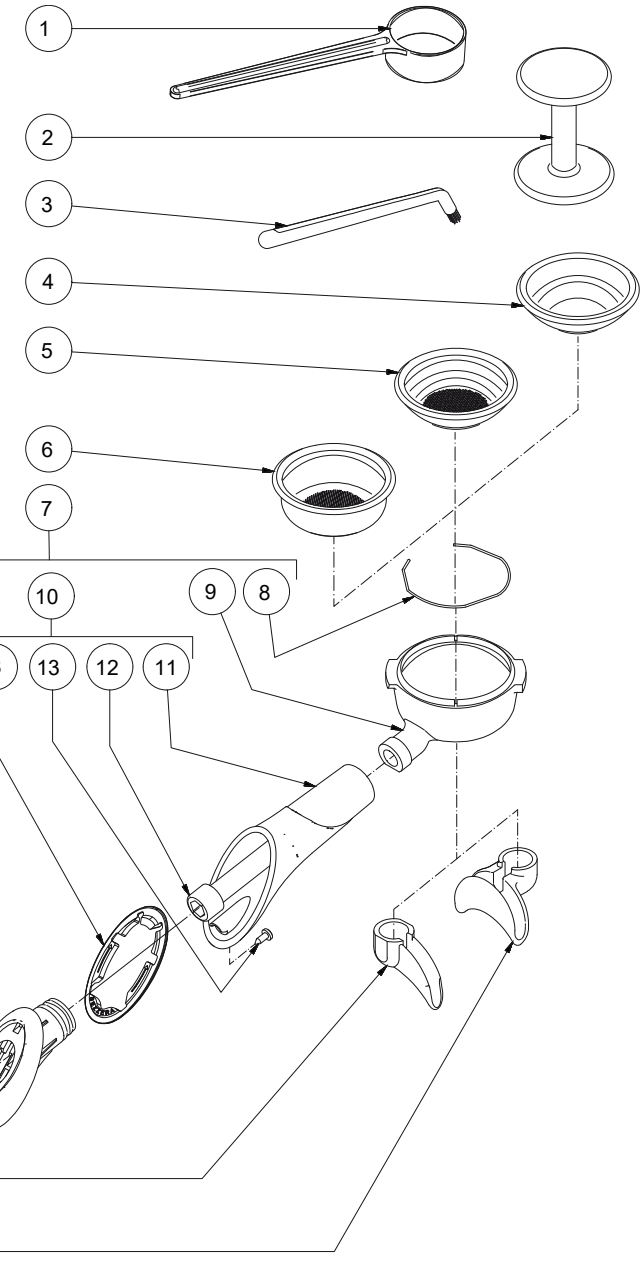


Table 11

POS	CODICE	DESCRIZIONE
1	5372101	MEASURER
2	5373001	COFFEE-PRESS
3	7990603	CLEANING BRUSH
4	5471003	BLIND FILTER
5	5471031.01	FILTER 1 CUP 8 GRAMS WITH RUN CHANNEL
6	5471035	FILTER 2 CUPS 16 GRAMS WITH RUN CHANNEL
7	5965586.01R	ASSEMBLY FILTER-HOLDER 1 CUP
7	5965587.01R	ASSEMBLY FILTER-HOLDER 2 CUPS
8	5471527	FILTER-HOLDER SPRING D1.2 AISI 302
9	5286016TW	FILTER-HOLDER
10	5978508.01	KNOB
11	5371203	HANDLE
12	7816026	SCREW TCEI M12X60
13	7809806	SCREW TC M3,5X8 (up to 18.06.15)
13	7809810	SCREW TC M3,5X10 (from 18.06.15)
14	5371204	PLUG CHROMED
15	5371205	PLATE WITH LOGO
16	7305006TW	SPOUT 1 WAY
17	7305007TW	SPOUT 2 WAY
18	7493021	GASKET (from 19.06.15)

Table 11



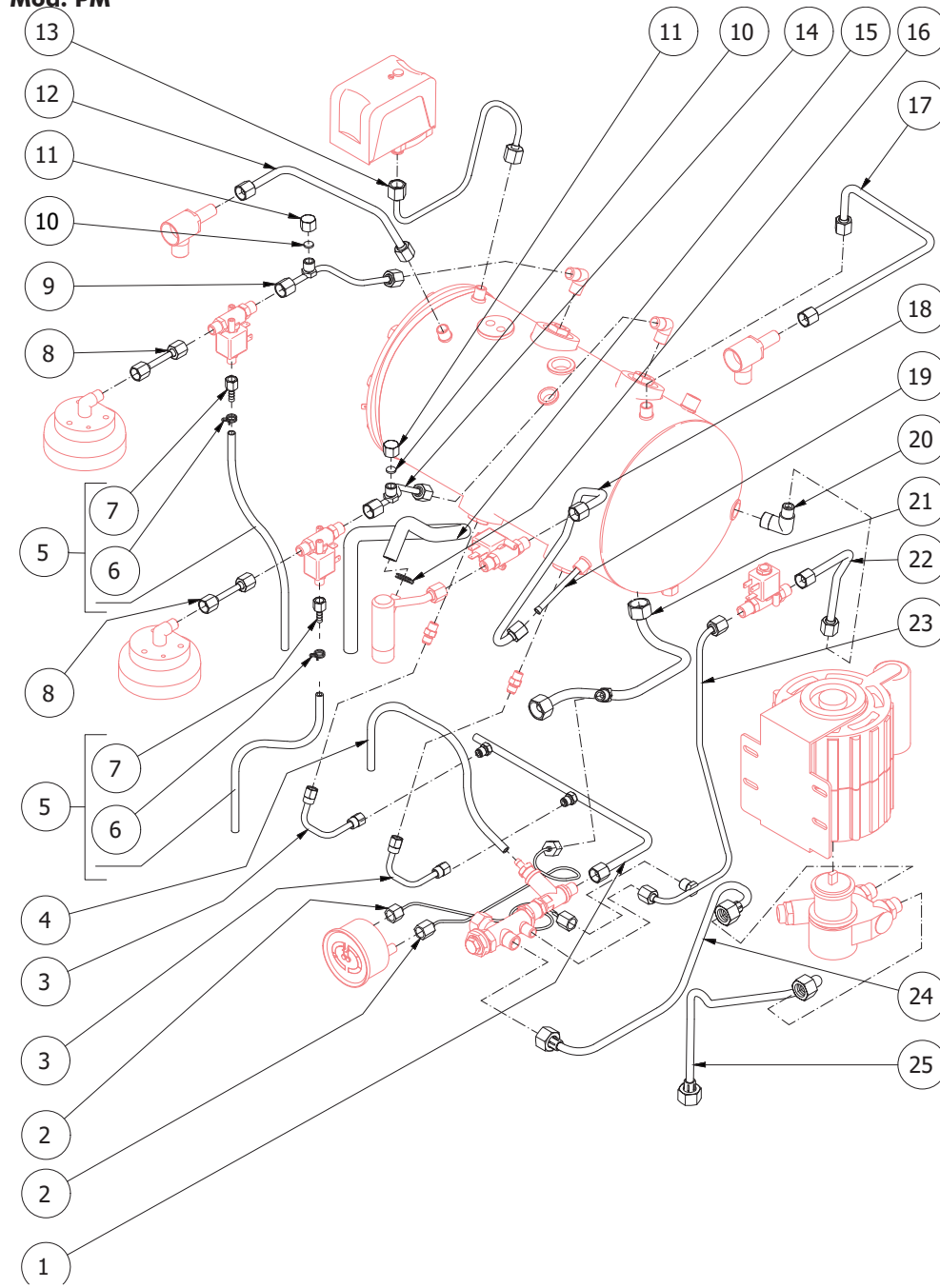


Serie Tubi 2GR Mod. PM

POS	CODICE	DESCRIZIONE
1	5163297LL	MANIFOLD HOSE
2	7400901	PRESSURE GAUGE CAPILLARY
3	5162345LL	EXCHANGER LOAD HOSE
4	5194550	HOSE D8X5 SILICONE L=400
5	5194593LL	SOLENOID VALVE DRAIN HOSE
6	7611516	CLAMP
7	5370313	RUBBER-HOLDER
8	5162316LL	HOSE FOR SOLENOID VALVE OF GROUP
9	5162328LL	EXCHANGER HOSE LEFT
10	5492008	GASKET D10.5X2
11	5221813	PLUG M12X1 BRASS
12	5163286LL	LEFT STEAM HOSE
13	5162001LL	PRESSURE SWITCH HOSE
14	5162329LL	EXCHANGER HOSE RIGHT
15	5194595	HOSE D15X10 L=500MM SILICONE
16	7611502	CLAMP D14
17	5163296LL	RIGHT STEAM HOSE
18	5163290LL	WATER HOSE
19	5192307LL	WATER SUCTION HOSE D6X1 L=80
20	5301507TR	UNION ELBOW 3/8"GX M13 BRASS
21	5164001.01LL	BOILER DRAIN HOSE
22	5163288LL	BOILER LOAD HOSE
23	5162218LL	INLET PIPE L/A
24	7200507	FLEXIBLE HOSE 3/8"FFC L=600MM
25	7200504	FLEXIBLE HOSE 3/8" L=1500 AISI 304



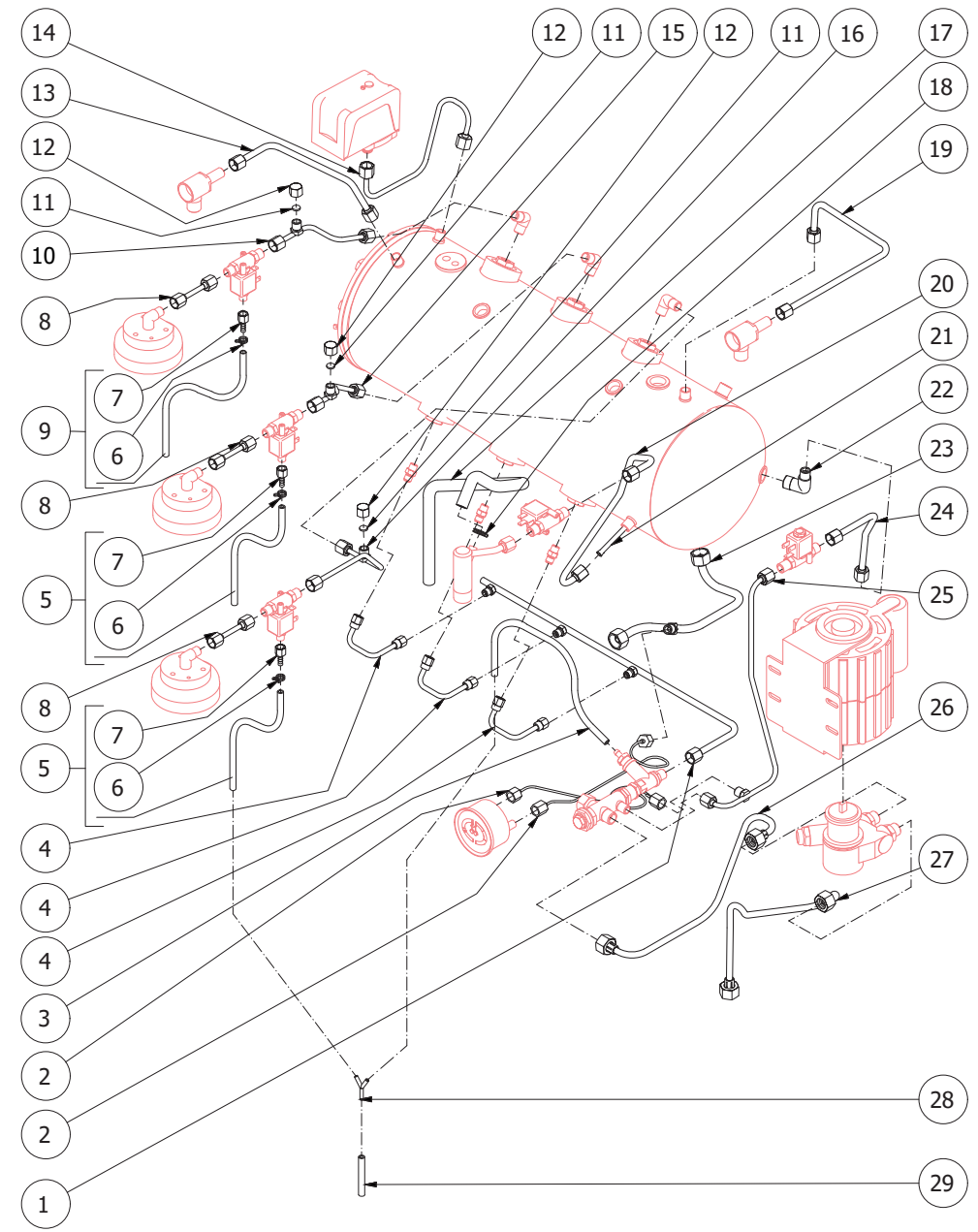
Serie Tubi 2GR Mod. PM



Serie Tubi 3GR Mod. PM

POS	CODICE	DESCRIZIONE
1	5163302LL	MANIFOLD HOSE
2	7400901	PRESSURE GAUGE CAPILLARY
3	5194551	HOSE D8X5 SILICONE L=450
4	5162347LL	EXCHANGER LOAD HOSE
5	5194593LL	SOLENOID VALVE DRAIN HOSE
6	7611516	CLAMP
7	5370313	RUBBER-HOLDER
8	5162316LL	HOSE FOR SOLENOID VALVE OF GROUP
9	5194593LL	SOLENOID VALVE DRAIN HOSE
10	5162328LL	EXCHANGER HOSE LEFT
11	5492008	GASKET D10.5X2
12	5221813	PLUG M12X1 BRASS
13	5163303LL	LEFT STEAM HOSE
14	5162001LL	PRESSURE SWITCH HOSE
15	5162329LL	EXCHANGER HOSE
16	5162336LL	EXCHANGER HOSE RIGHT
17	5194595	HOSE D15X10 L=500MM SILICONE
18	7611502	CLAMP D14
19	5163296LL	RIGHT STEAM HOSE
20	5163290LL	WATER HOSE
21	5192307LL	WATER SUCTION HOSE D6X1 L=80
22	5301507TR	UNION ELBOW 3/8"GXM13 BRASS
23	5164001.01LL	BOILER DRAIN HOSE
24	5163288LL	BOILER LOAD HOSE
25	5162218LL	INLET PIPE L/A
26	7200507	FLEXIBLE HOSE 3/8"FFC L=600MM
27	7200504	FLEXIBLE HOSE 3/8" L=1500 AISI 304
28	7303039	FITTING "Y"
29	5194532	HOSE D8X5 SILICONE L=60

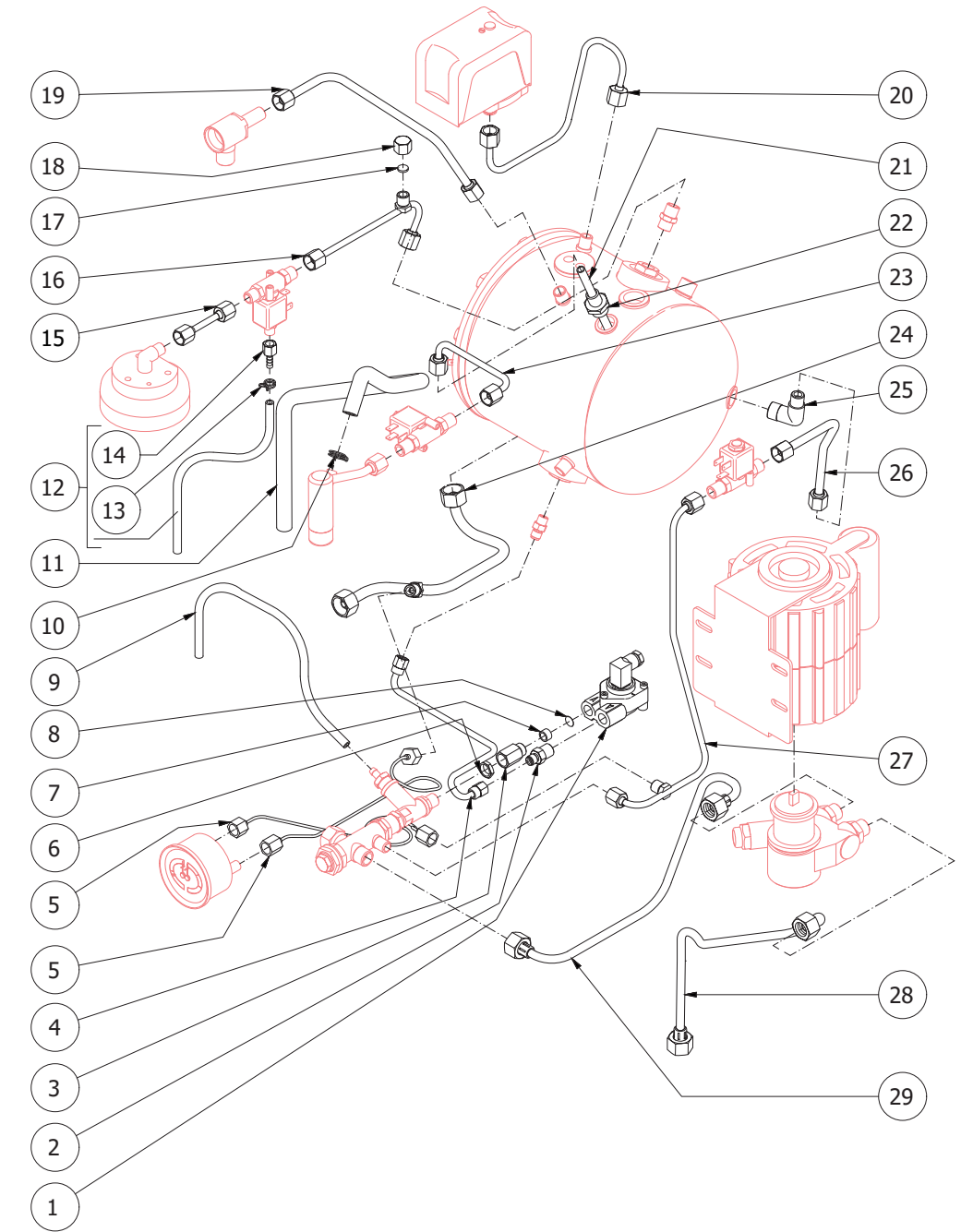
Serie Tubi 3GR
Mod. PM



Serie Tubi 1GR Mod. DE

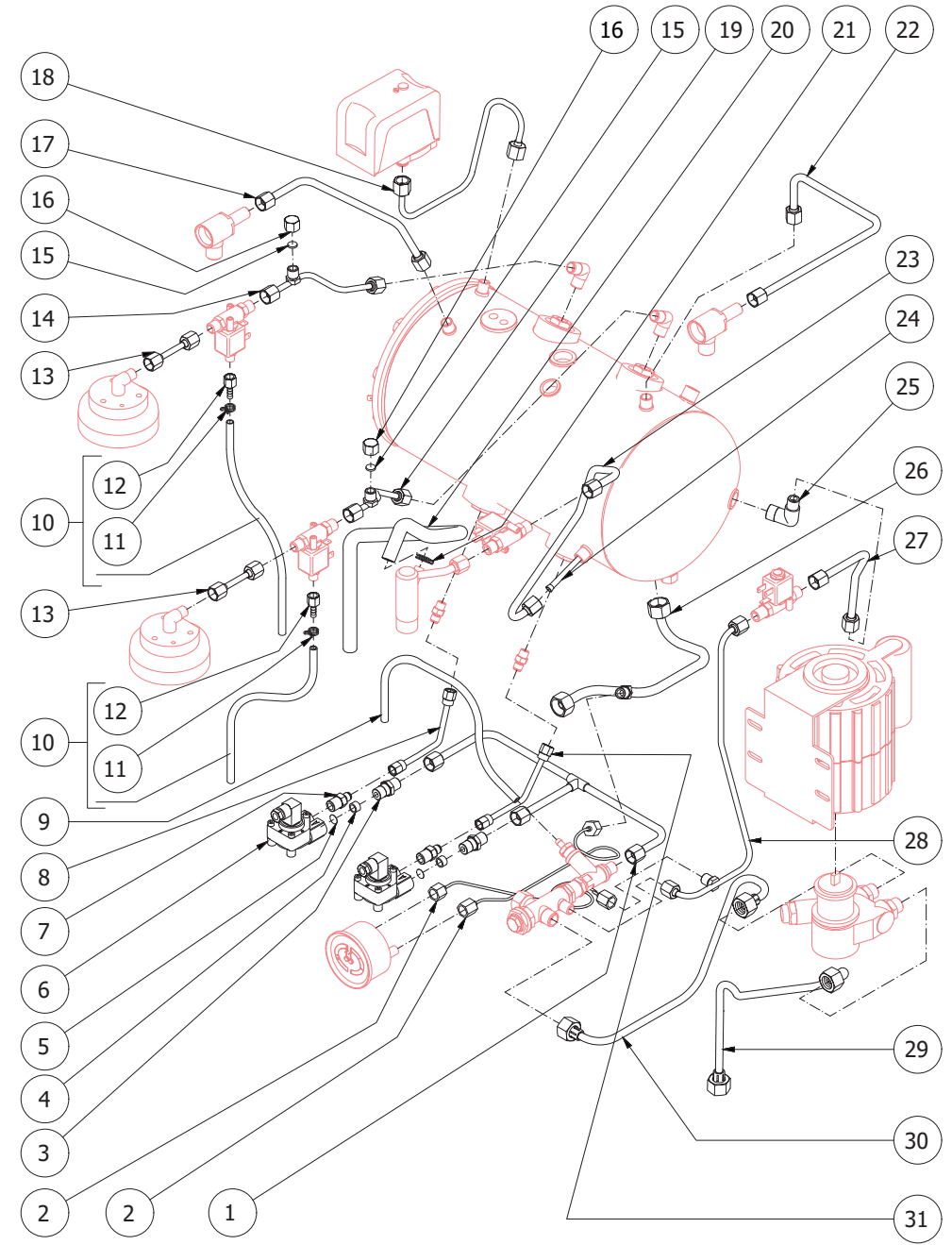
POS	CODICE	DESCRIZIONE
1	7431001	FLOW METER + AUT. WITH LED
2	7304510TR	FITTING 1/4"G
3	5225304	STRAIGHT FITTING 1/4"GXM13 BRASS
4	5162350LL	EXCHANGER LOAD HOSE
5	7400901	PRESSURE GAUGE CAPILLARY
6	5221801	NUT M13 H4 BRASS
7	5191501	SPACER D11X8X6.5 PTFE
8	5471001	NET FILTER D11 AISI 304
9	5194549	HOSE D8X5 L=350 SILICONE
10	7611502	CLAMP D14
11	5194595	HOSE D15X10 L=500MM SILICONE
12	5194593LL	SOLENOID VALVE DRAIN HOSE
13	7611516	CLAMP
14	5370313	RUBBER-HOLDER
15	5162316LL	HOSE FOR SOLENOID VALVE OF GROUP
16	5162337LL	EXCHANGER HOSE
17	5492008	GASKET D10.5X2
18	5221813	PLUG M12X1 BRASS
19	5163304LL	WATER HOSE
20	5162001LL	PRESSURE SWITCH HOSE
21	5192315	SUCTION HOSE D6X1 L=130 PTFE
22	5302005	STRAIGHT FITTING 3/8"GXM13
23	5163305LL	WATER HOSE
24	5164001.01LL	BOILER DRAIN HOSE
25	5301507TR	UNION ELBOW 3/8"GXM13 BRASS
26	5163288LL	BOILER LOAD HOSE
27	5162218LL	INLET PIPE L/A
28	7200504	FLEXIBLE HOSE 3/8" L=1500 AISI 304
29	7200507	FLEXIBLE HOSE 3/8"FFC L=600MM

Serie Tubi 1GR Mod. DE



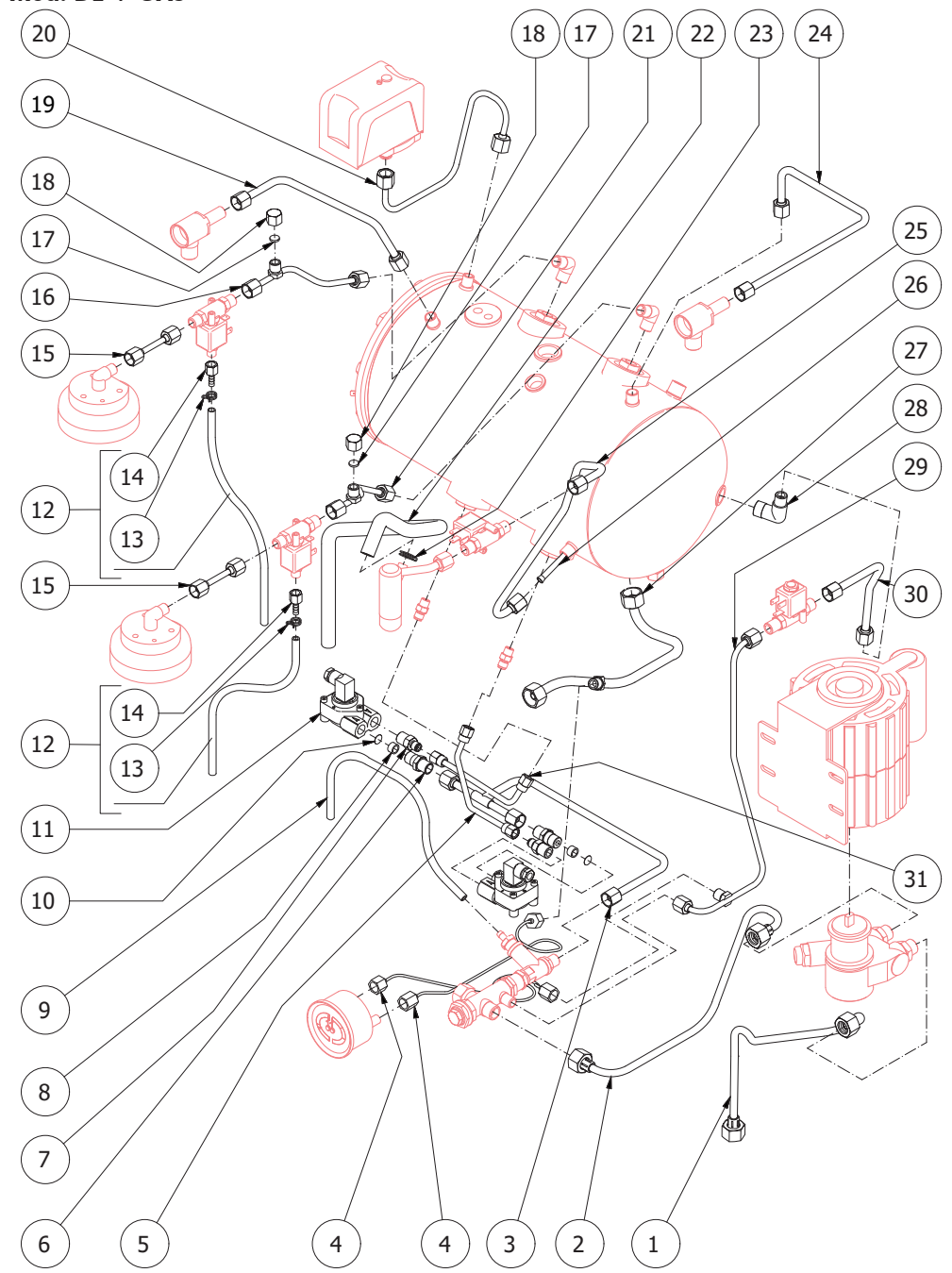
Serie Tubi 2GR Mod. DE	POS	CODICE	DESCRIZIONE
	1	5163294LL	MANIFOLD HOSE
	2	7400901	PRESSURE GAUGE CAPILLARY
	3	5302001	STRAIGHT FITTING 1/4"GXM13
	4	5191501	SPACER D11X8X6.5 PTFE
	5	5471001	NET FILTER D11 AISI 304
	6	7431001	FLOW METER + AUT. WITH LED
	7	7304510TR	FITTING 1/4"G
	8	5162351LL	EXCHANGER LOAD HOSE
	9	5194550	HOSE D8X5 SILICONE L=400
	10	5194593LL	SOLENOID VALVE DRAIN HOSE
	11	7611516	CLAMP
	12	5370313	RUBBER-HOLDER
	13	5162316LL	HOSE FOR SOLENOID VALVE OF GROUP
	14	5162328LL	EXCHANGER HOSE LEFT
	15	5492008	GASKET D10.5X2
	16	5221813	PLUG M12X1 BRASS
	17	5163286LL	LEFT STEAM HOSE
	18	5162001LL	PRESSURE SWITCH HOSE
	19	5162329LL	EXCHANGER HOSE
	20	5194595	HOSE D15X10 L=500MM SILICONE
	21	7611502	CLAMP D14
	22	5163296LL	RIGHT STEAM HOSE
	23	5163290LL	WATER HOSE
	24	5192307LL	WATER SUCTION HOSE D6X1 L=80
	25	5301507TR	UNION ELBOW 3/8"GXM13 BRASS
	26	5164001.01LL	BOILER DRAIN HOSE
	27	5163288LL	BOILER LOAD HOSE
	28	5162218LL	INLET PIPE L/A
	29	7200504	FLEXIBLE HOSE 3/8" L=1500 AISI 304
	30	7200507	FLEXIBLE HOSE 3/8"FFC L=600MM
31	5162352LL	EXCHANGER LOAD HOSE	

Serie Tubi 2GR Mod. DE



POS	CODICE	DESCRIZIONE
1	7200504	FLEXIBLE HOSE 3/8" L=1500 AISI 304
2	7200507	FLEXIBLE HOSE 3/8"FFC L=600MM
3	5163298LL	MANIFOLD HOSE
4	7400901	PRESSURE GAUGE CAPILLARY
5	5162356LL	EXCHANGER LOAD HOSE
6	5302001	STRAIGHT FITTING 1/4"GXM13
7	7304510TR	FITTING 1/4"G
8	5191501	SPACER D11X8X6.5 PTFE
9	5194550	HOSE D8X5 SILICONE L=400
10	5471001	NET FILTER D11 AISI 304
11	7431001	FLOW METER + AUT. WITH LED
12	5194593LL	SOLENOID VALVE DRAIN HOSE
13	7611516	CLAMP
14	5370313	RUBBER-HOLDER
15	5162316LL	HOSE FOR SOLENOID VALVE OF GROUP
16	5162328LL	EXCHANGER HOSE LEFT
17	5492008	GASKET D10.5X2
18	5221813	PLUG M12X1 BRASS
19	5163286LL	LEFT STEAM HOSE
20	5162001LL	PRESSURE SWITCH HOSE
21	5162329LL	EXCHANGER HOSE
22	5194595	HOSE D15X10 L=500MM SILICONE
23	7611502	CLAMP D14
24	5163296LL	RIGHT STEAM HOSE
25	5163290LL	WATER HOSE
26	5192307LL	WATER SUCTION HOSE D6X1 L=80
27	5164001.01LL	BOILER DRAIN HOSE
28	5301507TR	UNION ELBOW 3/8"GXM13 BRASS
29	5162218LL	INLET PIPE L/A
30	5163288LL	BOILER LOAD HOSE
31	5162357LL	EXCHANGER LOAD HOSE

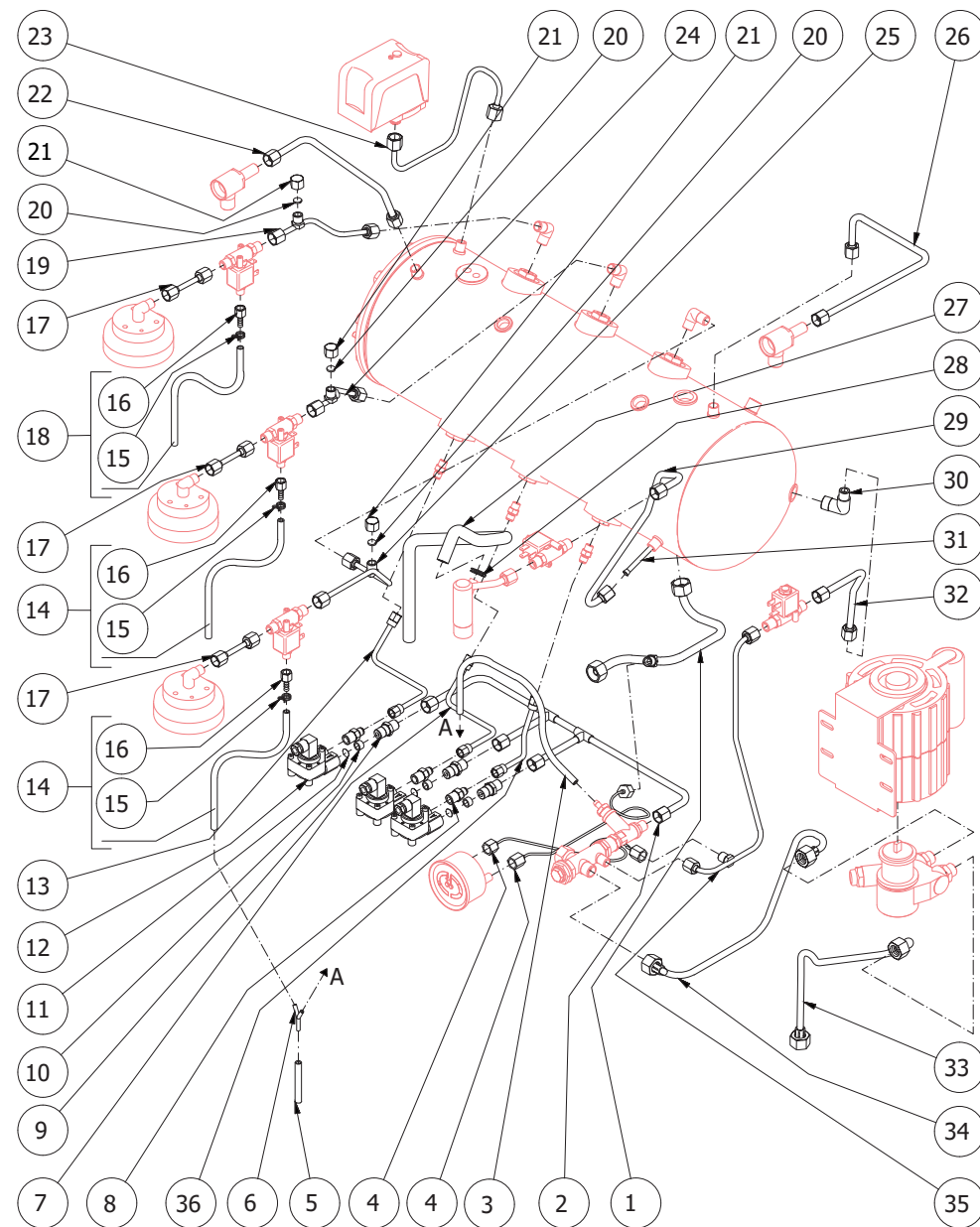
Serie Tubi 2GR Mod. DE + GAS



Serie Tubi 3GR Mod. DE

POS	CODICE	DESCRIZIONE
1	5164001.01LL	BOILER DRAIN HOSE
2	5163299LL	MANIFOLD HOSE
3	5194551	HOSE D8X5 SILICONE L=450
4	7400901	PRESSURE GAUGE CAPILLARY
5	5194532	HOSE D8X5 SILICONE L=60
6	7303039	FITTING "Y"
7	5162354LL	EXCHANGER LOAD HOSE
8	7304510TR	FITTING 1/4"G
9	5302001	STRAIGHT FITTING 1/4"GXM13
10	5191501	SPACER D11X8X6.5 PTFE
11	5471001	NET FILTER D11 AISI 304
12	7431001	FLOW METER + AUT. WITH LED
13	5162353LL	EXCHANGER LOAD HOSE
14	5194593LL	SOLENOID VALVE DRAIN HOSE
15	7611516	CLAMP
16	5370313	RUBBER-HOLDER
17	5162316LL	HOSE FOR SOLENOID VALVE OF GROUP
18	5194593LL	SOLENOID VALVE DRAIN HOSE
19	5162328LL	EXCHANGER HOSE
20	5492008	GASKET D10.5X2
21	5221813	PLUG M12X1 BRASS
22	5163303LL	LEFT STEAM HOSE
23	5162001LL	PRESSURE SWITCH HOSE
24	5162329LL	EXCHANGER HOSE
25	5162336LL	EXCHANGER HOSE RIGHT
26	5163296LL	RIGHT STEAM HOSE
27	5194595	HOSE D15X10 L=500MM SILICONE
28	7611502	CLAMP D14
29	5163290LL	WATER HOSE
30	5301507TR	UNION ELBOW 3/8"GXM13 BRASS
31	5192307LL	WATER SUCTION HOSE D6X1 L=80
32	5163288LL	BOILER LOAD HOSE
33	7200504	FLEXIBLE HOSE 3/8" L=1500 AISI 304
34	7200507	FLEXIBLE HOSE 3/8"FFC L=600MM
35	5162218LL	INLET PIPE L/A
36	5162355LL	EXCHANGER LOAD HOSE

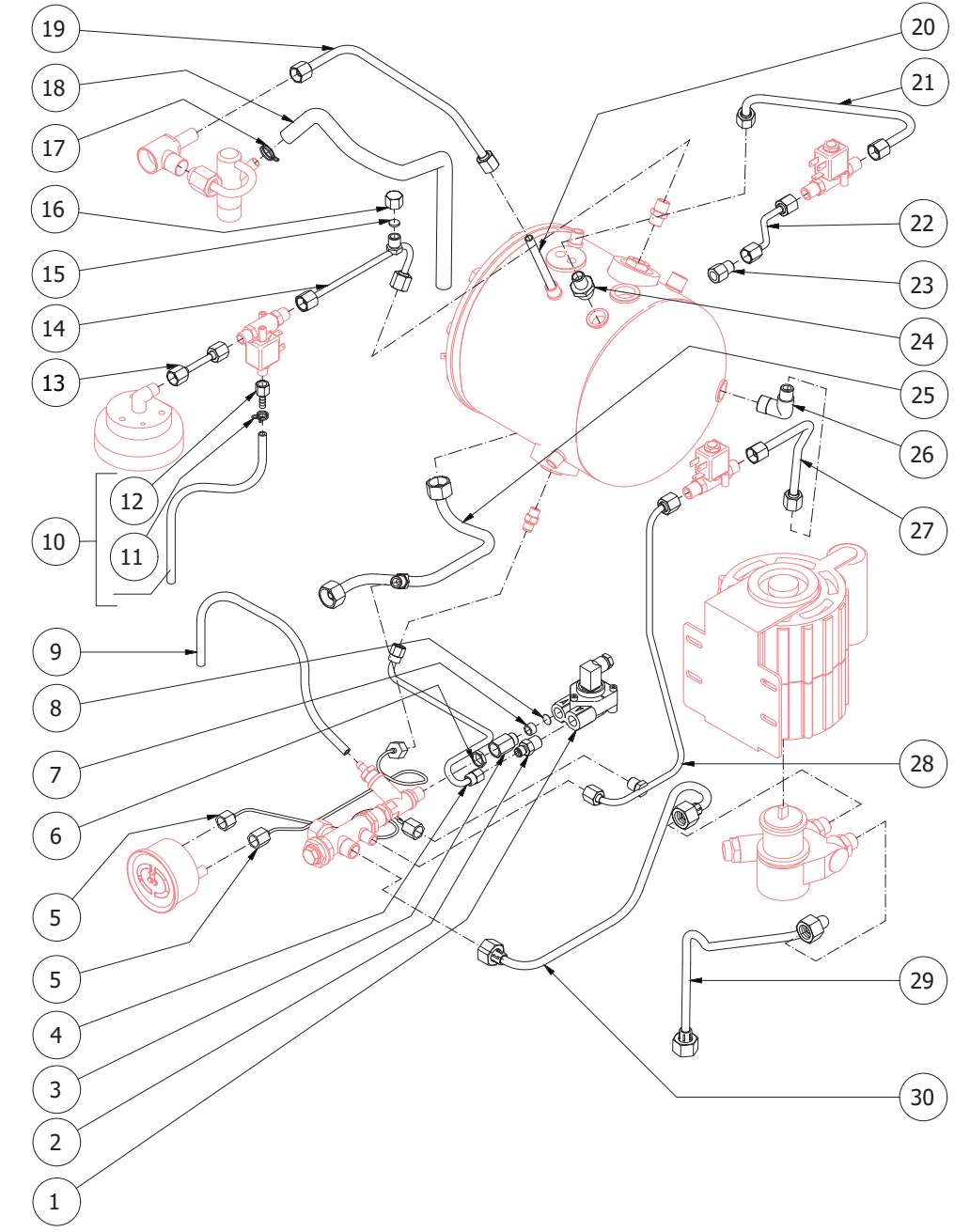
**Serie Tubi 3GR
Mod. DE**



Serie Tubi 1GR Mod. DE TOP

POS	CODICE	DESCRIZIONE
1	7431001	FLOW METER + AUT. WITH LED
2	7304510TR	FITTING 1/4"G
3	5225304	STRAIGHT FITTING 1/4"GXM13 BRASS
4	5162350LL	EXCHANGER LOAD HOSE
5	7400901	PRESSURE GAUGE CAPILLARY
6	5221801	NUT M13 H4 BRASS
7	5191501	SPACER D11X8X6.5 PTFE
8	5471001	NET FILTER D11 AISI 304
9	5194549	HOSE D8X5 L=350 SILICONE
10	5194593LL	SOLENOID VALVE DRAIN HOSE
11	7611516	CLAMP
12	5370313	RUBBER-HOLDER
13	5162316LL	HOSE FOR SOLENOID VALVE OF GROUP
14	5162337LL	EXCHANGER HOSE
15	5492008	GASKET D10.5X2
16	5221813	PLUG M12X1 BRASS
17	7611502	CLAMP D14
18	5194595	HOSE D15X10 L=500MM SILICONE
19	5163304LL	WATER HOSE
20	5192301	SUCTION HOSE D6 L=130MM PTFE
21	5163306LL	STEAM HOSE
22	5162327LL	STEAM HOSE
23	5225414	FITTING M14XM13
24	5302005	STRAIGHT FITTING 3/8"GXM13
25	5164001.01LL	BOILER DRAIN HOSE
26	5301507TR	UNION ELBOW 3/8"GXM13 BRASS
27	5163288LL	BOILER LOAD HOSE
28	5162218LL	INLET PIPE L/A
29	7200507	FLEXIBLE HOSE 3/8"FFC L=600MM
30	7200504	FLEXIBLE HOSE 3/8" L=1500 AISI 304

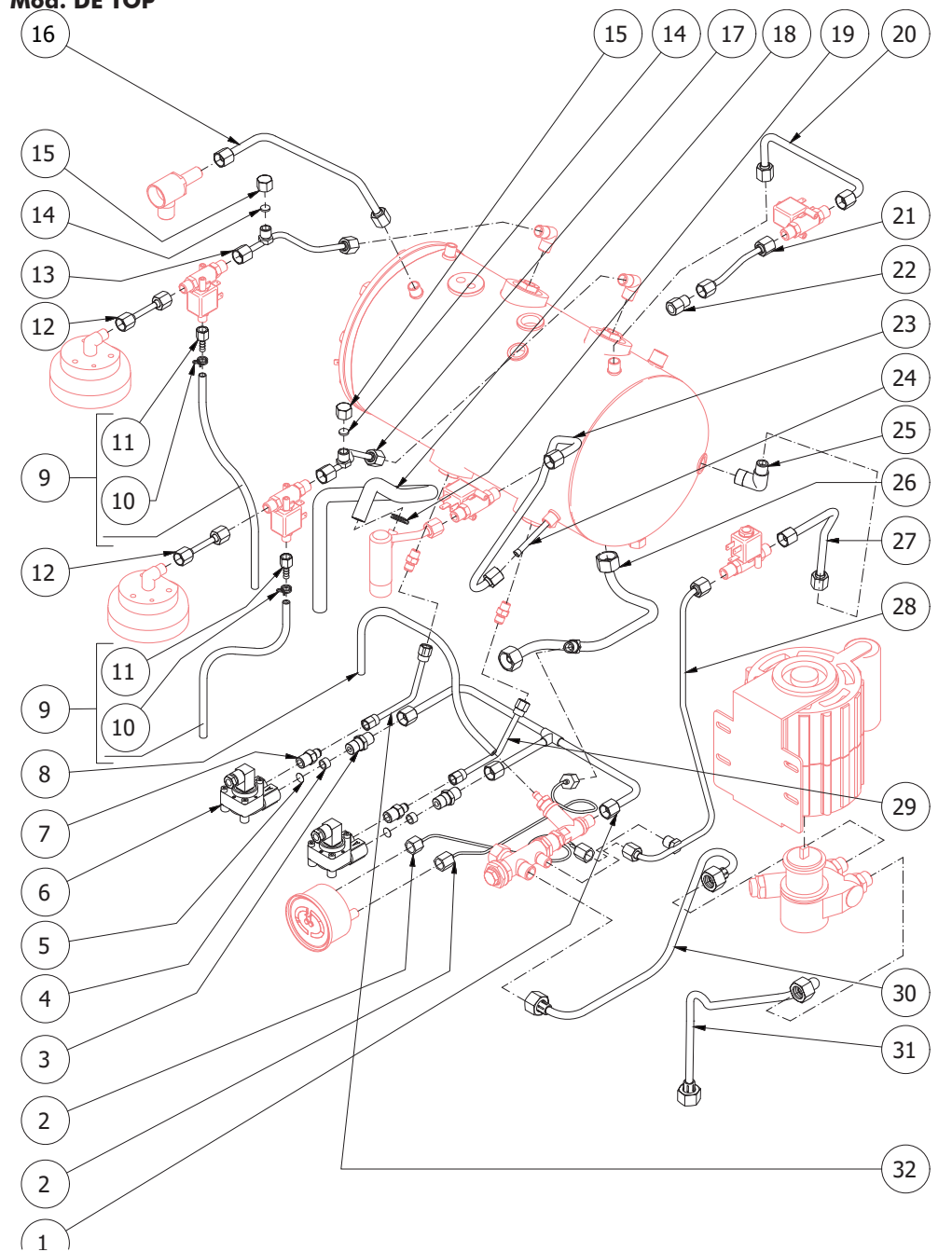
**Serie Tubi 1GR
 Mod. DE TOP**



Serie Tubi 2GR Mod. DE TOP

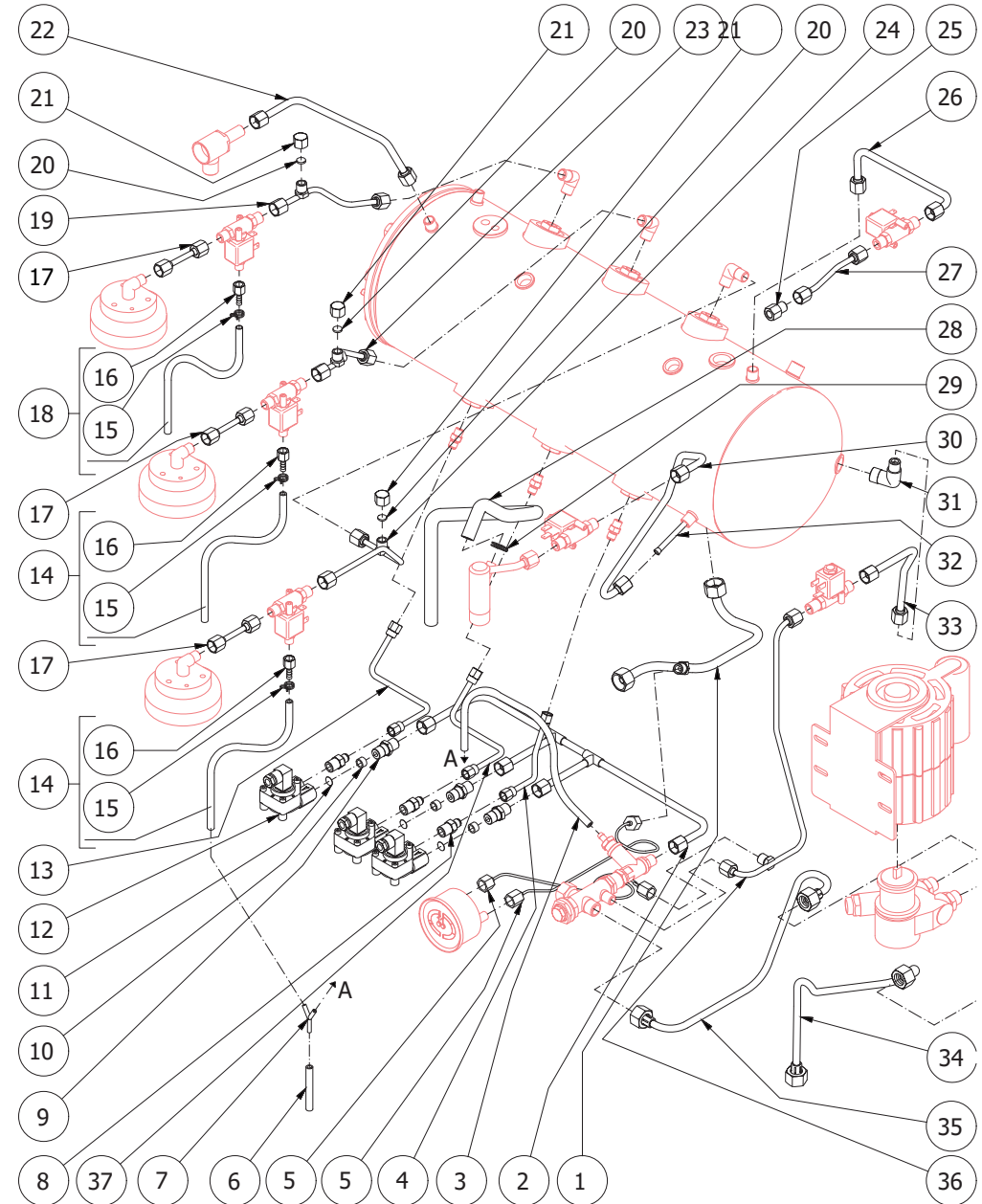
POS	CODICE	DESCRIZIONE
1	5163294LL	MANIFOLD HOSE
2	7400901	PRESSURE GAUGE CAPILLARY
3	5302001	STRAIGHT FITTING 1/4"GXM13
4	5191501	SPACER D11X8X6.5 PTFE
5	5471001	NET FILTER D11 AISI 304
6	7431001	FLOW METER + AUT. WITH LED
7	7304510TR	FITTING 1/4"G
8	5194550	HOSE D8X5 SILICONE L=400
9	5194593LL	SOLENOID VALVE DRAIN HOSE
10	7611516	CLAMP
11	5370313	RUBBER-HOLDER
12	5162316LL	HOSE FOR SOLENOID VALVE OF GROUP
13	5162328LL	EXCHANGER HOSE LEFT
14	5492008	GASKET D10.5X2
15	5221813	PLUG M12X1 BRASS
16	5163286LL	LEFT STEAM HOSE
17	5162329LL	EXCHANGER HOSE
18	5194595	HOSE D15X10 L=500MM SILICONE
19	7611502	CLAMP D14
20	5163287LL	RIGHT STEAM HOSE
21	5162327LL	STEAM HOSE
22	5225414	FITTING M14XM13
23	5163290LL	WATER HOSE
24	5192307LL	WATER SUCTION HOSE D6X1 L=80
25	5301507TR	UNION ELBOW 3/8"GXM13 BRASS
26	5164001.01LL	BOILER DRAIN HOSE
27	5163288LL	BOILER LOAD HOSE
28	5162218LL	INLET PIPE L/A
29	5162352LL	EXCHANGER LOAD HOSE
30	7200507	FLEXIBLE HOSE 3/8"FFC L=600MM
31	7200504	FLEXIBLE HOSE 3/8" L=1500 AISI 304
32	5162351LL	EXCHANGER LOAD HOSE

**Serie Tubi 2GR
Mod. DE TOP**



POS	CODICE	DESCRIZIONE
1	5164001.01LL	BOILER DRAIN HOSE
2	5163299LL	MANIFOLD HOSE
3	5194551	HOSE D8X5 SILICONE L=450
4	5162355LL	EXCHANGER LOAD HOSE
5	7400901	PRESSURE GAUGE CAPILLARY
6	5194532	HOSE D8X5 SILICONE L=60
7	7303039	FITTING "Y"
8	7304510TR	FITTING 1/4"G
9	5302001	STRAIGHT FITTING 1/4"GXM13
10	5191501	SPACER D11X8X6.5 PTFE
11	5471001	NET FILTER D11 AISI 304
12	7431001	FLOW METER + AUT. WITH LED
13	5162353LL	EXCHANGER LOAD HOSE
14	5194593LL	SOLENOID VALVE DRAIN HOSE
15	7611516	CLAMP
16	5370313	RUBBER-HOLDER
17	5162316LL	HOSE FOR SOLENOID VALVE OF GROUP
18	5194593LL	SOLENOID VALVE DRAIN HOSE
19	5162328LL	EXCHANGER HOSE LEFT
20	5492008	GASKET D10.5X2
21	5221813	PLUG M12X1 BRASS
22	5163303LL	LEFT STEAM HOSE
23	5162329LL	EXCHANGER HOSE
24	5162336LL	EXCHANGER HOSE RIGHT
25	5225414	FITTING M14XM13
26	5163287LL	RIGHT STEAM HOSE
27	5162327LL	STEAM HOSE
28	5194595	HOSE D15X10 L=500MM SILICONE
29	7611502	CLAMP D14
30	5163290LL	WATER HOSE
31	5301507TR	UNION ELBOW 3/8"GXM13 BRASS
32	5192307LL	WATER SUCTION HOSE D6X1 L=80
33	5163288LL	BOILER LOAD HOSE
34	7200504	FLEXIBLE HOSE 3/8" L=1500 AISI 304
35	7200507	FLEXIBLE HOSE 3/8"FFC L=600MM
36	5162218LL	INLET PIPE L/A
37	5162354LL	EXCHANGER LOAD HOSE

**Serie Tubi 3GR
Mod. DE TOP**

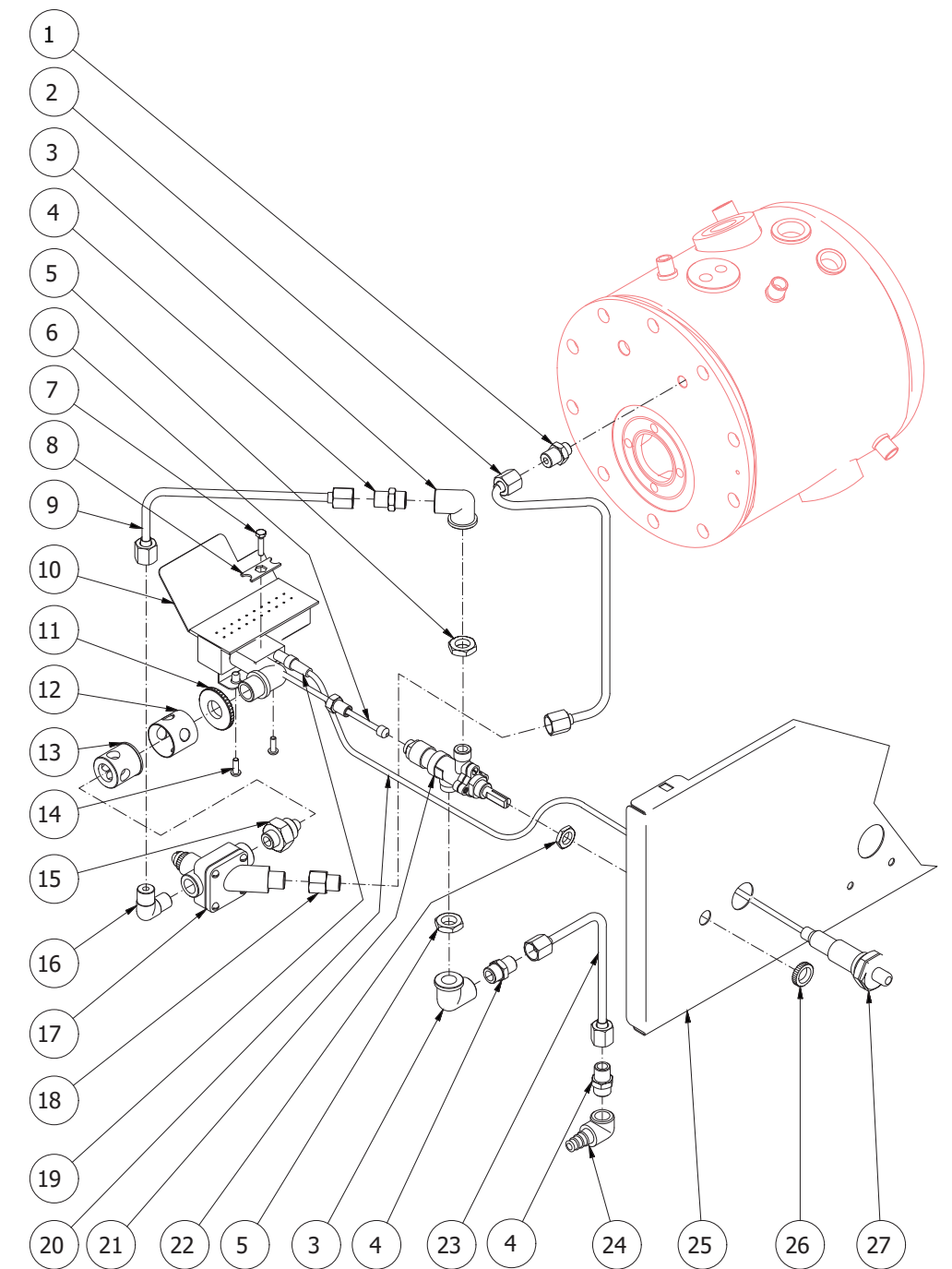




GAS 1GR (Up to 20/01/16)

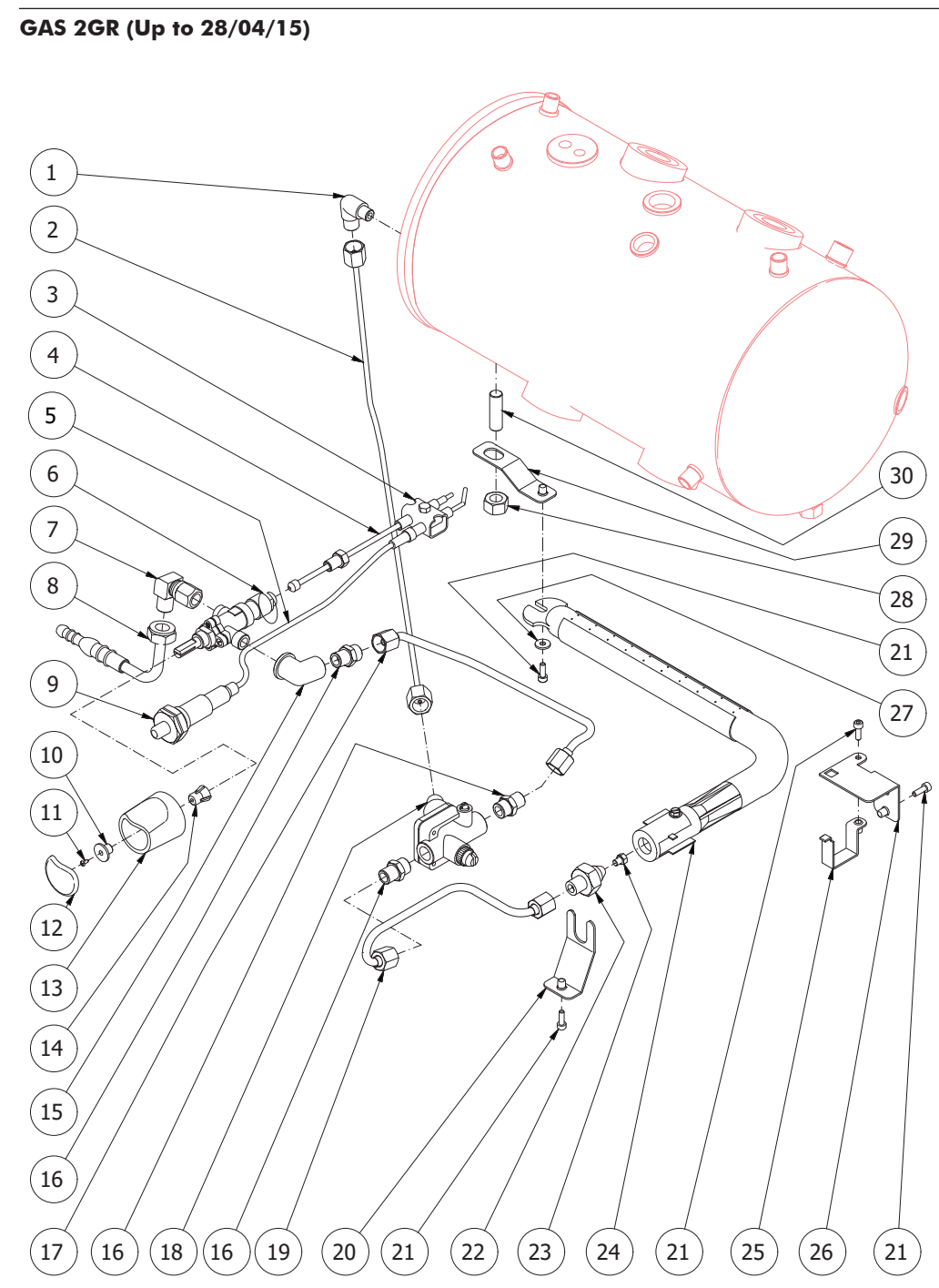
POS	CODICE	DESCRIZIONE
1	5302010	STRAIGHT FITTING M12XM10 BRASS
2	5162171LL	BOILER-REGULATOR HOSE 1GR LEVER
3	5301518	UNION ELBOW 1/4"G
4	5302009	STRAIGHT FITTING M12 X 1/4"G H24 BRASS
5	5221821	NUT 1/4"G H5 BRASS
6	7403001	THERMOCOUPLE
7	7401204	SCREW M4,5X18
8	7401202	UPPER RACKET
9	5162172LL	RG10-TAP HOSE </td
10	5343004LL	ASSEMBLY BURNER 1GR
11	5222808	RING NUT 3/8"G H4 BRASS
12	5220602	EXTERNAL INTAKE AIR PASSAGE D28X25.5
13	5220601	INTERNAL INTAKE AIR PASSAGE D26X27 BRASS
14	7819901	SCREW TTEI M4X12
15	5223009-04	JET 1/4"G HOLE D0,4 (MOUNTED)
15	5223009-05	JET 1/4"G HOLE D0,5 (SUPPLIED)
16	5301512	UNION ELBOW M12X1/4"G
17	7402410	GAS RG10 REGULATOR
18	5302029	REDUCTION FITTING 1/4"GXM12 ES.16 H22 BRASS
19	7400301	IGNITION CANDLE
20	7401205	ELECTRIC CABLE
21	7403601	VALVE M1 WITH RING NUT
22	5221847	NUT M12X1
23	5162173LL	INLET GAS HOSE 1GR
24	5224405	RUBBER-HOLDER 1/4" D12 BRASS
25	5094838LW	FRONTAL GROUP 1GR + GAS
26	7472101	RING NUT M12X1
27	7400302	PIEZO IGNITION

GAS 1GR (Up to 20/01/16)



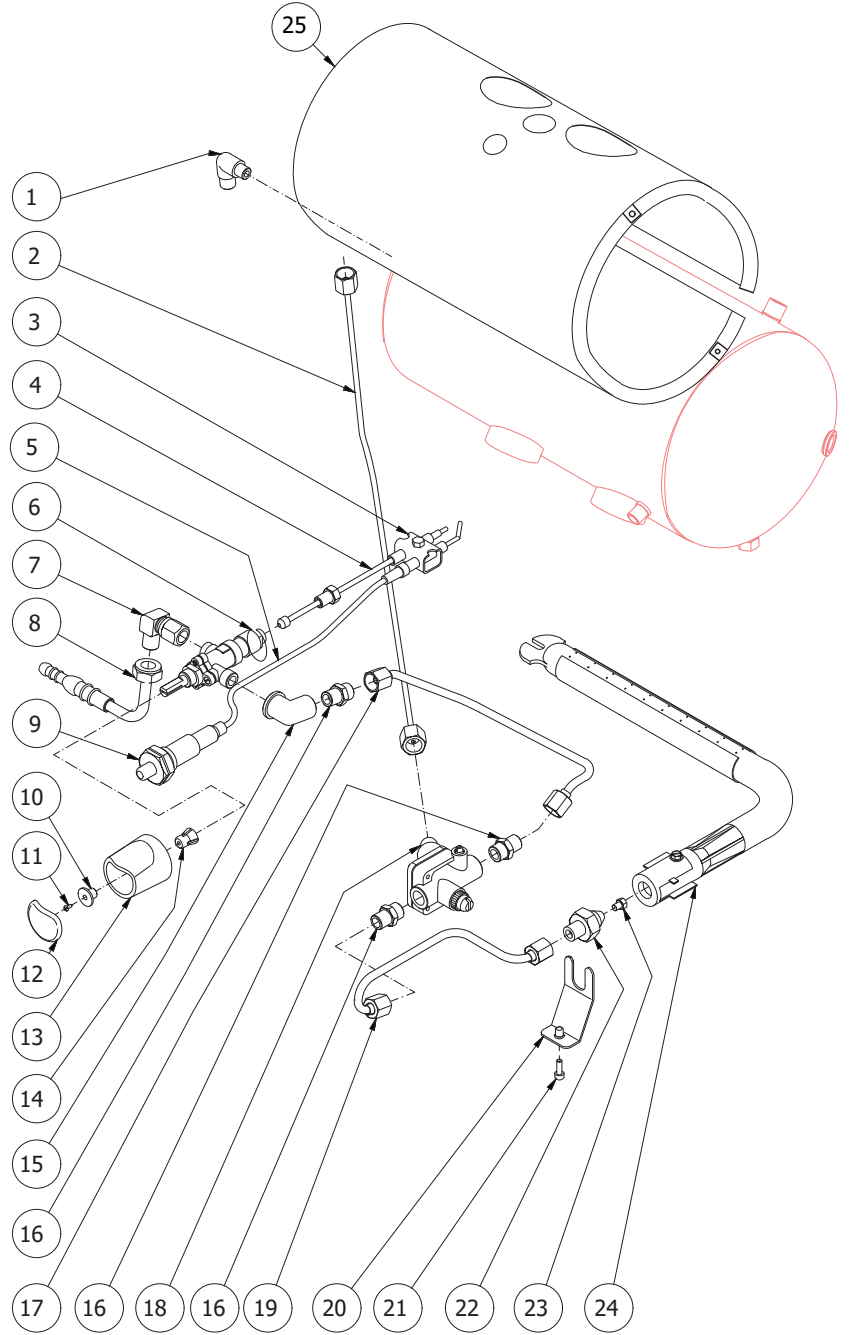
GAS 2GR (Up to 28/04/15)

POS	CODICE	DESCRIZIONE
1	5301504TR	UNION ELBOW 1/8"GXM12
2	5161018LL	BOILER-REGULATOR HOSE
3	5479917	CLIPS
4	7403003	THERMOCOUPLE L=600
5	7400305	IGNITION CANDLE
6	7403602	TAP
7	7303023LL	ORIENTABLE ELBOW
8	5163211LL	RUBBER-HOLDER HOSE
9	7400302	PIEZO IGNITION
10	5220816	KNOB BUSHING
11	7818203	TAPPING SCREW TC 3,9X16
12	5373925	KNOB CUP
13	5371811	BLACK KNOB
14	7473032	KNOB INSERT
15	5301518	UNION ELBOW 1/4"G
16	5302009	STRAIGHT FITTING M12 X 1/4"G H24 BRASS
17	5162252LL	REGULATOR TAP HOSE
18	7402410	GAS RG10 REGULATOR
19	5162249.01LL	REGULATOR-JET/BURNER HOSE
20	5037823LL	BURNER SUPPORT
21	7816002	SCREW TCEI M4X12
22	5224413	INJECTOR-HOLDER
23	7303024	INJECTOR D0,6 (MOUNTED)
23	7303025	INJECTOR D0,8 (SUPPLIED)
24	7400600	BURNER 2GR
25	5037825LL	BURNER HOLDER
26	5037826LL	RIGHT SUPPORT
27	7809804	PLAIN WASHER D4
28	7812608	NUT M10 UNI 5587 ASTM A194
29	5037824LL	LEFT SUPPORT
30	5267012	TIE ROD M10X33 ASTM A193



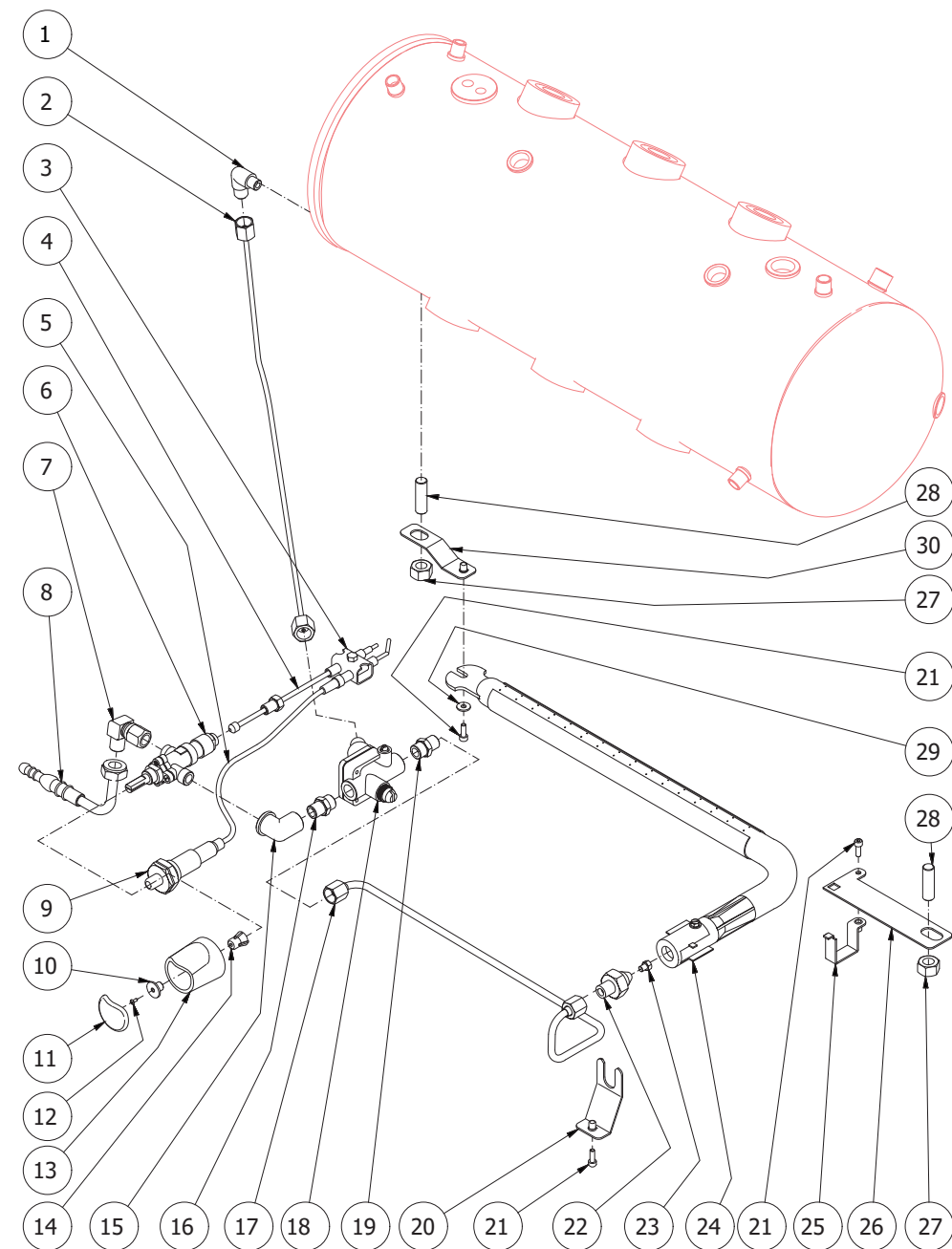
GAS 2GR (from 29/04/15)

POS	CODICE	DESCRIZIONE
1	5301504TR	UNION ELBOW 1/8"GXM12
2	5161018LL	BOILER-REGULATOR HOSE
3	7401209	CLIPS
4	7403005	THERMOCOUPLE
5	7400306	IGNITION CANDLE
6	7403602	MULTIGAS TAP
7	7303023LL	ORIENTABLE ELBOW
8	5163211LL	RUBBER-HOLDER HOSE
9	7400302	PIEZO IGNITION
10	5220816	KNOB BUSHING
11	7818203	TAPPING SCREW TC 3,9X16
12	5373925	KNOB CUP
13	5371811	BLACK KNOB
14	7473032	KNOB INSERT
15	5301524	UNION ELBOW
16	5302009	STRAIGHT FITTING M12 X 1/4"G H24 BRASS
17	5162252LL	REGULATOR TAP HOSE
18	7402410	GAS RG10 REGULATOR
19	5162249.01LL	REGULATOR-JET/BURNER HOSE
20	5037823LL	BURNER SUPPORT
21	7816002	SCREW TCEI M4X12
22	5224413	INJECTOR-HOLDER
23	7303047	INJECTOR D0,7 (MOUNTED FOR GPL)
23	7303045	INJECTOR D1,05 (SUPPLIED FOR METAN)
24	7400604	BURNER 2GR
25	5033010LW	BOILER COVER B2013/ELL DE/PM

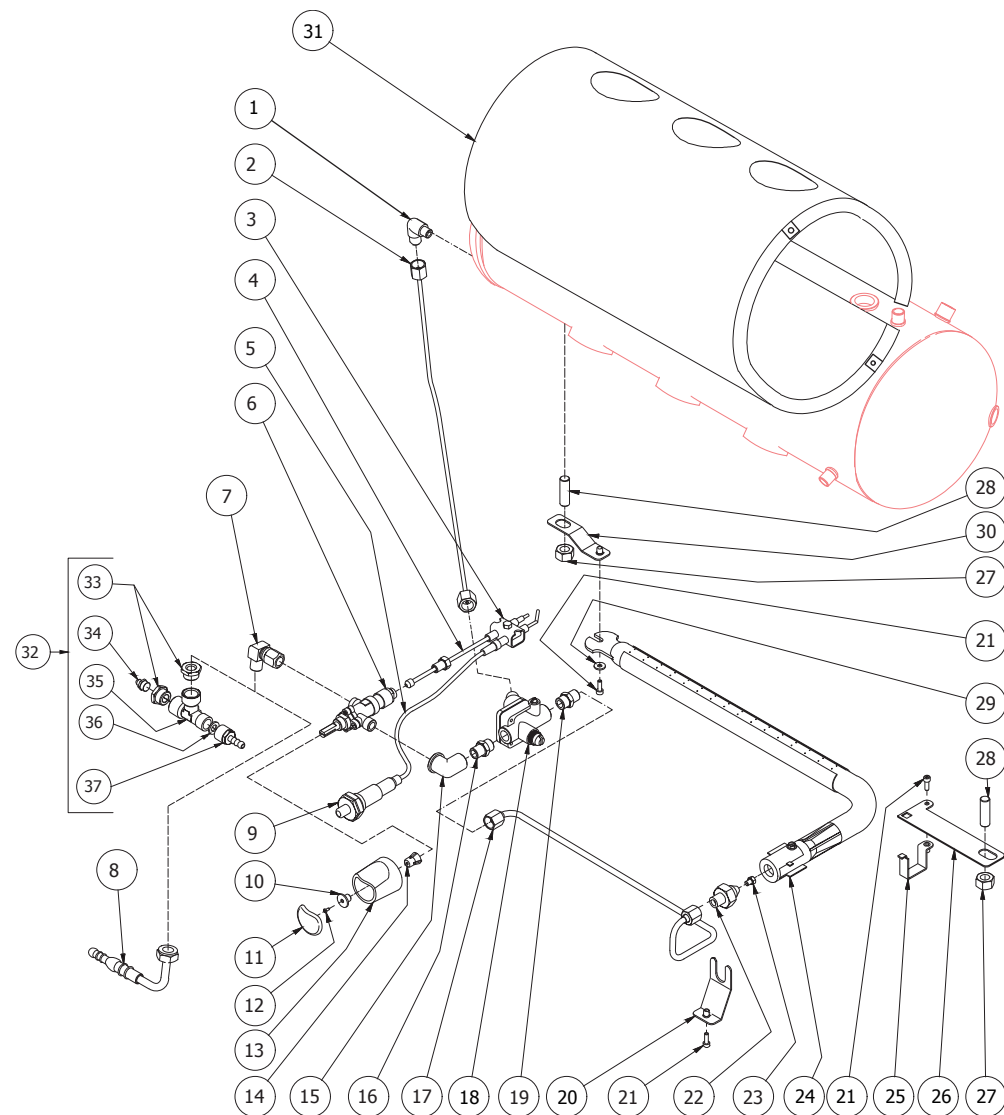
GAS 2GR (from 29/04/15)


GAS 3GR (up to 24/06/17)

POS	CODICE	DESCRIZIONE
1	5301504TR	UNION ELBOW 1/8"GXM12
2	5161017LL	BOILER-REGULATOR HOSE
3	5479917	CLIPS
4	7403003	THERMOCOUPLE L=600
5	7400305	IGNITION CANDLE
6	7403602	TAP
7	7303023LL	ORIENTABLE ELBOW
8	5163211LL	RUBBER-HOLDER HOSE
9	7400302	PIEZO IGNITION
10	5220816	KNOB BUSHING
11	5373925	KNOB CUP
12	7818203	TAPPING SCREW TC 3,9X16
13	5371811	BLACK KNOB
14	7473032	KNOB INSERT
15	5301518	UNION ELBOW 1/4"G
16	7304524	FITTING 1/4"G
17	5162250LL	REGULATOR-JET/BURNER HOSE
18	7402410	GAS RG10 REGULATOR
19	5302009	STRAIGHT FITTING M12 X 1/4"G H24 BRASS
20	5037823LL	BURNER SUPPORT
21	7816002	SCREW TCEI M4X12
22	5224413	INJECTOR-HOLDER
23	7303025	INJECTOR D0,8 (MOUNTED)
23	7303026	INJECTOR D1,1 (SUPPLIED)
24	7400601	BURNER 3GR
25	5037825LL	BURNER HOLDER
26	5037827	RIGHT SUPPORT
27	7821402	NUT M10 UNI 5587 BRASS
28	5267012	TIE ROD M10X33 ASTM A193
29	7809804	PLAIN WASHER D4
30	5037824LL	LEFT SUPPORT

GAS 3GR (ut to 24/06/17)


POS	CODICE	DESCRIZIONE
1	5301504TR	UNION ELBOW 1/8"GXM12
2	5161018LL	BOILER-REGULATOR HOSE
3	7401209	CLIPS
4	7403005	THERMOCOUPLE L=600
5	7400306	IGNITION CANDLE
6	7403602	MULTIGAS TAP
7	7303023LL	ORIENTABLE ELBOW
8	5163211LL	RUBBER-HOLDER HOSE
9	7400302	PIEZO IGNITION
10	5220816	KNOB BUSHING
11	5373925	KNOB CUP
12	7818203	TAPPING SCREW TC 3,9X16
13	5371811	BLACK KNOB
14	7473032	KNOB INSERT
15	5301518	UNION ELBOW 1/4"G
16	7304524	FITTING 1/4"G
17	5162250LL	REGULATOR-JET/BURNER HOSE
18	7402410	GAS RG10 REGULATOR
19	5302009	STRAIGHT FITTING M12 X 1/4"G H24 BRASS
20	5037823LL	BURNER SUPPORT
21	7816002	SCREW TCEI M4X12
22	5224413	INJECTOR-HOLDER
23	7303026	INJECTOR D1,1 (MOUNTED FOR GPL)
23	7303051	INJECTOR D1,75 (SUPPLIED FOR METHANE)
24	7400601	BURNER 3GR
25	5037825LL	BURNER HOLDER
26	5037827	RIGHT SUPPORT
27	7821402	NUT M10 UNI 5587 BRASS
28	5267012	TIE ROD M10X33 ASTM A193
29	7809804	PLAIN WASHER D4
30	5037824LL	LEFT SUPPORT
31	5033011LW	BOILER COVER 3GR
32	5963151	ASSY TEE (from 25/06/17)
33	5302086	FITTING 1/2" X 1/4" G MF OT (from 25/06/17)
34	5302087	PRESSURE POINT 1/4" (from 25/06/17)
35	5300516	FITTING TEE 1/2"X1/2"X1/2" MFF (from 25/06/17)
36	5492021	GASKET D18X10X2 (from 25/06/17)
37	5224417	RUBBER-HOLDER HOSE (from 25/06/17)

GAS 3GR (from 25/06/17)



BEZZERA

G.BEZZERA S.R.L.

MACCHINE PER CAFFE' ESPRESSO

Via Luigi Bezzera,1

20088 Rosate - Milano - Italy

Tel. 02 90848102 r.a. - Telefax 02 90870287

Web: www.bezzera.com

e-mail: admin@bezzera.it